

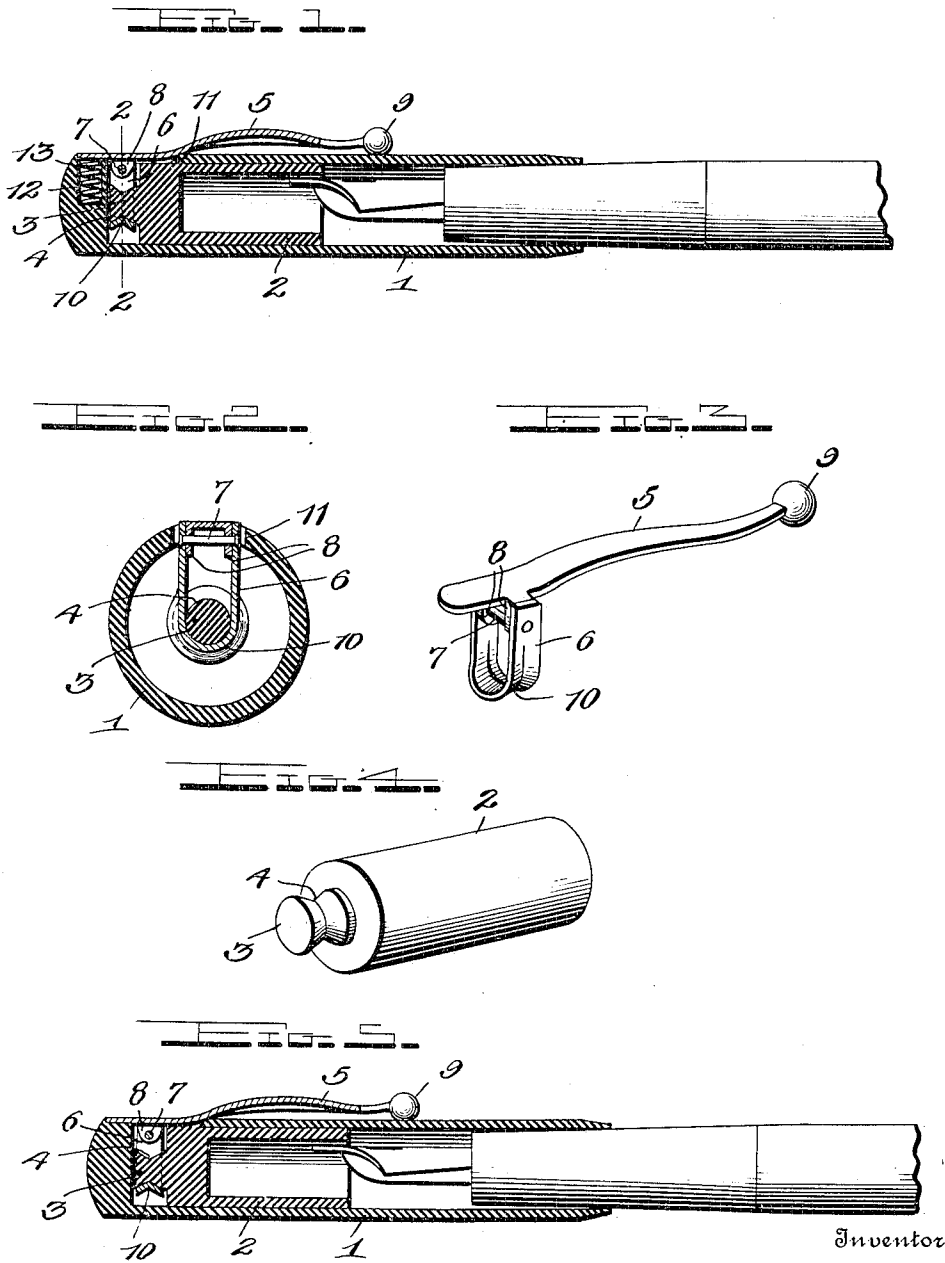
W. A. SHEAFFER.

PEN CLIP.

APPLICATION FILED MAR. 13, 1913.

1,085,174.

Patented Jan. 27, 1914.



W.A. Sheaffer,

Witnesses

Chas. L. Gristauer.  
S. M. Mitchell,

By

A. B. Wilson & Co.

Attorneys

# UNITED STATES PATENT OFFICE.

WALTER A. SHEAFFER, OF FORT MADISON, IOWA.

## PEN-CLIP.

1,085,174.

Specification of Letters Patent.

Patented Jan. 27, 1914.

Application filed March 13, 1913. Serial No. 754,025.

*To all whom it may concern:*

Be it known that I, WALTER A. SHEAFFER, a citizen of the United States, residing at Fort Madison, in the county of Lee and State of Iowa, have invented certain new and useful Improvements in Pen - Clips; and I do declare the following to be a full, clear, and exact description of the invention, such as will enable others skilled in the art to which it appertains to make and use the same.

This invention relates to improvements in fountain pen retainers or clips and more especially to the means for securing the clip to the pen.

The object of the invention is to provide a simple and efficient means for reliably fastening the clip to the pen and for securing the inner cap which constitutes the airtight chamber in the cap of the pen against working loose.

With this and other objects in view, the invention consists of certain novel features of construction and the combination and arrangement of parts as will be more fully described and claimed.

In the accompanying drawings Figure 1 represents a side elevation partly in longitudinal section of a fountain pen equipped with this improved clip; Fig. 2 is a transverse section taken on the line 2—2 of Fig. 1; Fig. 3 is a detail perspective view of the clip; Fig. 4 is a similar view of the inner cap; Fig. 5 is a longitudinal section showing a slightly different form of the invention.

In the embodiment illustrated a fountain pen of ordinary construction is shown having the usual cap 1 with an inner cap 2 provided with a reduced extension or neck 3 at its outer end. This extension 3 has a circumferential groove 4 for a purpose to be described.

A clip or retaining device 5 is shown in the form of a metal bar provided on its inner face near one end with a laterally extending loop 6 here shown pivotally connected with the bar by means of a pin 7 extending through lateral lugs 8 on the bar and through the opposite sides of the loop whereby the bar is permitted to move without changing the position of the loop. This bar is preferably bowed outwardly intermediately of its ends and at the end opposite the loop carrying end is provided with a ball 9 or is similarly rounded to facilitate the engagement of the clip with a coat or

vest pocket without danger of penetrating the fabric.

The loop 6 is provided on its inner face with a rib 10 extending longitudinally thereof which is designed to enter the groove 4 in the extension 3 of the inner cap 2 and securely hold the cap against longitudinal movement and also secure the clip to the cap 1.

The cap 1 is provided near its closed end with an opening 11 of sufficient size to permit the insertion of the loop 6. Arranged adjacent the outer end of said opening is a socket 12 in which is housed a coil spring 13 on which the free outer end of the clip bar is designed to rest, said spring exerting its tension to force said bar end outward thus causing the other end of the bar to closely engage the cap 1 and form a reliable gripping element for yieldably securing the pen to a garment pocket.

In the use of this invention the loop 6 of the clip is first inserted through the opening 11 extending transversely across a portion of the cap 1. The inner cap 2 is then inserted into the cap 1 with the extension 3 thereof arranged at the closed end of the cap 1 and when in operative position said extension passes through the loop 6 of the clip and the groove 4 on its outer face is engaged by the rib 10 on the inner face of the loop whereby said cap and clip are secured together and the cap held against longitudinal displacement and the clip held in operative position against disengagement from the cap 1.

While the coil spring 13 is preferably used to cause the gripping end of the clip to reliably engage the article to which the pen is to be secured yet this spring may be omitted and the clip arranged as shown in Fig. 5.

While I have described my invention with more or less minuteness as regards details and as being embodied in certain precise forms, I do not desire to be limited thereon unduly any more than is pointed out in the claims. On the contrary, I contemplate all proper changes in form, construction and arrangement, the omission of the immaterial elements and substitution of equivalents as circumstances may suggest or render expedient.

I claim as my invention:

1. A fountain pen cover having an outer cap to snugly fit the body of the pen and

- formed with a lateral opening, an inner, pen-point receiving cap having a closed end to render the chamber in the cover air tight, a retaining clip and means extending
- 5 through said lateral opening in the outer cap and connecting the clip and the inner cap to lock the latter against accidental longitudinal displacement and to lock the clip in operative position on the outer cap.
- 10 2. In a device of the character set forth, the combination of a cap having a lateral opening, a retaining clip on the exterior of the cap, a locking member inserted in the cap, and an element projecting laterally
- 15 from the clip to extend through said opening in the cap and having an interlocking engagement with said locking member, to retain the latter against accidental longitudinal movement in the cap and to also lock
- 20 the clip in position.
3. A fountain pen having an outer and an inner cap, said inner cap having an extension at one end and a retaining clip having an element projecting into said outer cap and interlocking with the extension on said inner cap, whereby the inner member and clip are securely held in operative position.
- 25 4. A fountain pen having an outer and an inner cap and a retaining clip, said inner cap being provided with an extension at one end and said retaining clip having a laterally extending loop projecting into said outer cap and interlocking with the extension on said inner cap, whereby the inner
- 30 cap and clip are held in operative position.
5. A fountain pen having an outer and an inner cap, said inner cap having an extension at one end, a retaining clip having a laterally extending loop, said loop and ex-

40 tension being provided one with a projection and the other with a recess for engagement with each other, whereby said cap and clip are securely held in operative position.

45 6. In a device of the character set forth, the combination of a cap having a lateral opening, a retaining clip on the exterior of the cap, a locking member inserted in the cap and having a double frusto cone-shaped extension and a U-shaped loop projecting laterally from the clip and through the opening in the cap, said U-shaped loop having a rib to engage the frusto cone-shaped extension on the locking member.

50 7. A fountain pen-cover having an outer cap with an opening in one wall thereof, a retaining clip having a laterally extending loop for insertion through said opening, said loop being provided on its inner face with a rib, and an inner cap having an extension for insertion within said loop and provided with a recess for engagement by the rib on the loop.

55 8. In a device of the character set forth, the combination of a cap having a lateral opening, a retaining clip on the exterior of the cap, a locking member inserted in the cap, and a laterally projecting loop on the clip extending through said opening in the cap and passing around the inner end of said locking member.

60 70 In testimony whereof I have hereunto set my hand in presence of two subscribing witnesses.

WALTER A. SHEAFFER.

Witnesses:

L. O. HILTON,  
M. H. STUARD.