

Dec. 4, 1923.

1,475,953

D. KLEIN

LEVER FOR SELF FILLER FOUNTAIN PENS

Filed Feb. 10, 1923

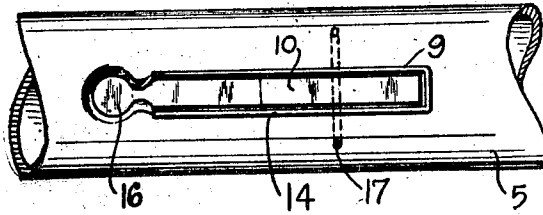


Fig. 1.

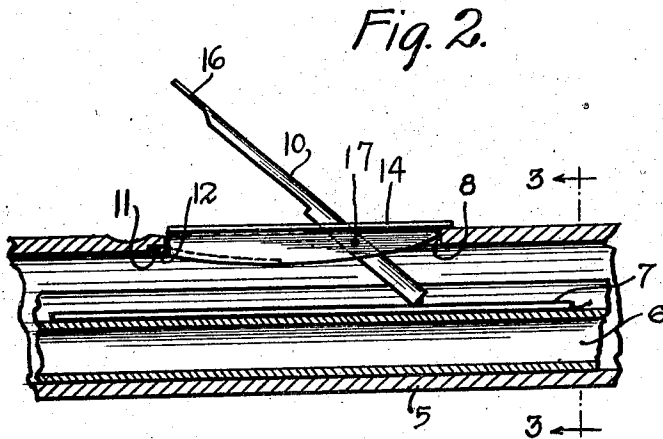


Fig. 2.

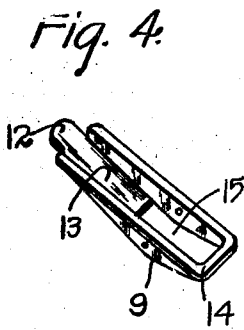


Fig. 4.

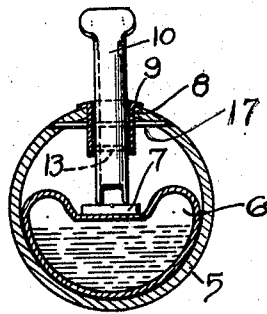


Fig. 3.

INVENTOR  
*DAVID KLEIN*  
BY *Maurice Bloch*  
ATTORNEY

Patented Dec. 4, 1923.

1,475,953

# UNITED STATES PATENT OFFICE.

DAVID KLEIN, OF NEW YORK, N. Y., ASSIGNOR TO MARX FINSTONE, OF BROOKLYN, NEW YORK.

## LEVER FOR SELF-FILLER FOUNTAIN PENS.

Application filed February 10, 1923. Serial No. 618,198.

To all whom it may concern:

Be it known that I, DAVID KLEIN, a citizen of the United States of America, residing at New York city, Bronx County, State of New York, have invented certain new and useful Improvements in Levers for Self-Filler Fountain Pens, of which the following is a specification.

This invention relates to the feed lever construction of fountain pens and in particular to the type which are styled "self-fillers."

A particular object of the invention is to produce a feed lever construction and method of attachment to the barrel of a fountain pen which does away with riveting, soldering or clipping and which can be manufactured and applied at a minimum of cost.

A further object is to produce a device of the character referred to which will have a minimum of parts all of which can be pressed out of material and in quantity.

Referring to the drawings forming part of disclosure;

Fig. 1 is a top plan view of a portion of the barrel of a fountain pen into which is embedded the feed or filling lever;

Fig. 2 is a partial section in elevation of the barrel showing the application of the feed lever and casing thereto;

Fig. 3 is a section on the line 3—3 of Fig. 2 showing the connection more clearly of the feed lever and its saddle; and,

Fig. 4 is a perspective view of the saddle member.

Referring to the drawings in detail 5 indicates the barrel of a fountain pen in which is contained the ink reservoir in the form of a rubber sack 6 upon which rests a presser bar 7, the latter extending the greater length of the sack and being adapted to compress the same to expel air therefrom prior to the drawing in of the ink upon the return of the sack to its normal shape.

The barrel of the pen is provided with a cut out or slot 8 the same being elongated to accommodate the saddle 9 in which is pivotally supported the lever 10 which operates to move the presser bar 7 downwardly against the resistant rubber sack 6. The slot 8 is undercut as at 11 to provide a footing for the extended portion 12 of the bottom 13 of the saddle 9. The saddle is shaped to comprise an outwardly extending

flange 14 around the upper edge thereof which supports the saddle in the slot by resting on the edges of the latter. The bottom of the saddle is open as at 15 to allow the lower end of the operating lever 10 to move therethrough to engage the bar 7. The operating lever 10 is pressed out of suitable material as is the saddle member, and consists of a V-shaped piece upon one end of which is formed a flat circular finger piece 16, the V-shaped part being of a width to snugly fit between the side walls of the saddle 9. In order to retain the saddle and lever in position I employ a pin 17 which I pass through the barrel material, saddle and lever and then clip said pin off flush with the barrel after it is in position. This results in a smooth surface adjacent the saddle which is not possible in cases where the saddle and lever is riveted or soldered in position.

Also, the important feature is the fact that this pin 17 alone serves to retain the saddle in position in the slot and also serves as the pivot for the lever 10.

In assembling the pieces the only operation necessary are the placing of the saddle 9 in the slot 8 of the barrel so that the extended saddle portion 12 is in the undercut portion 11 of the end of the slot and then forcing the saddle into the slot until the flange 14 thereof rests on the barrel at which time the lever 10 can be inserted into the barrel in position where the pin openings thereof register with the pin openings in the saddle and the pin 17 can then be inserted through the barrel, saddle and lever. This pin prevents any movement of the saddle relatively to the barrel and the projected portion 11 of the saddle prevents any movement of that end of the saddle.

This construction and arrangement of parts provide for manufacturing in quantity with a minimum of labor and cost and the resulting product is of neat appearance and can withstand any ordinary usage without the parts becoming disarranged.

What I claim is:—

1. The combination with a fountain pen comprising a slotted barrel, of a flanged saddle adapted to rest in said slot, said flanged portion resting on the exterior edges of said slot to hold the saddle in position, a lip on the underside of said saddle adapted to engage the interior wall of said barrel, a

lever, and a single pin passing through the walls of the barrel, saddle and lever, said pin acting in conjunction with said lip to prevent any movement of said saddle.

5 2. The combination with a fountain pen barrel having a slot cut therein, of a saddle disposed in said slot, flanges on the upper edges of said saddle adapted to engage the exterior of said barrel to support said saddle in the slot, a lever associated with said 10 saddle, a presser bar within said barrel adapted to compress an ink sack, and with which said lever is adapted to contact, a single pivot pin extending through the barrel, the saddle and the lever, whereby the 15 latter may be swung to force the presser bar downwardly and a projected lip on one of the under ends of said saddle whereby the latter is prevented from moving about said 20 pivot pin.

In testimony whereof I hereunto affix my signature.

DAVID KLEIN.