

F. R. BAKER.
CLIP.

APPLICATION FILED JULY 25, 1907.

908,537.

Patented Jan. 5, 1909.

Fig. 1.

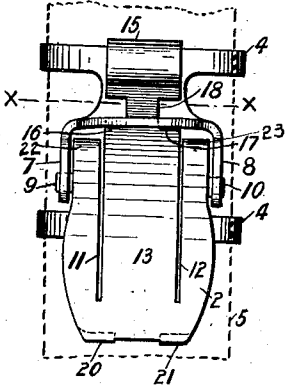


Fig. 2.

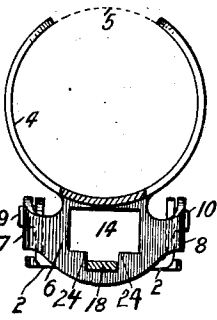


Fig. 3.

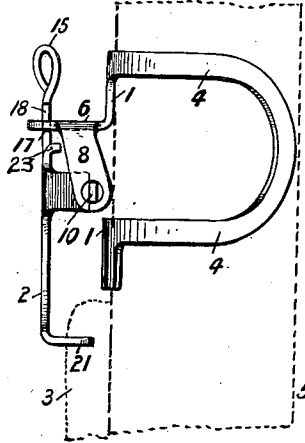


Fig. 4.

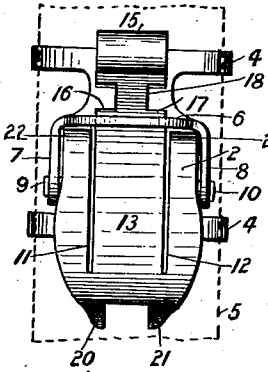


Fig. 5.

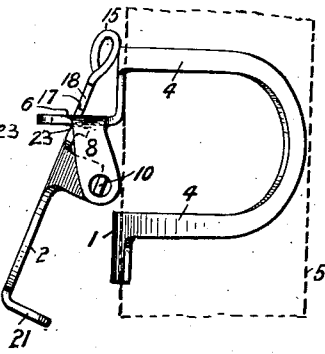


Fig. 6.

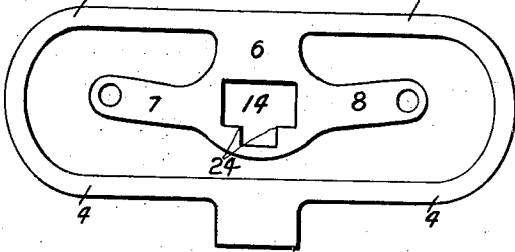
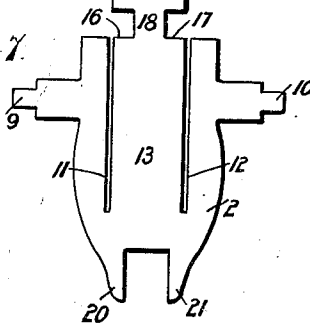


Fig. 7.



Witnesses:
Walter Raymond
Chester A. Jaynes

Inventor:
Francis Robert Baker
by Samuel J. Watson.
Attorney.

UNITED STATES PATENT OFFICE.

FRANCIS ROBERT BAKER, OF BIRMINGHAM, ENGLAND, ASSIGNOR TO L. E. WATERMAN COMPANY, OF NEW YORK, N. Y., A CORPORATION OF NEW YORK.

CLIP.

No. 908,537.

Specification of Letters Patent.

Patented Jan. 5, 1909.

Application filed July 25, 1907. Serial No. 385,430.

To all whom it may concern:

Be it known that I, FRANCIS ROBERT BAKER, a subject of His Majesty the King of Great Britain and Ireland, residing at 20 Caroline street, Birmingham, England, engineer, have invented new and useful Improvements in Clips, of which the following is a specification.

The object of this invention is to provide a simple, durable and efficient self-locking clip, a particular embodiment or form of which is especially adapted for use in connection with fountain pens, pencils and the like.

The invention consists in features of construction, arrangements and combinations of devices hereinafter described and more particularly set forth in the claims.

One embodiment of the invention is illustrated in the accompanying drawing, forming part hereof, in which:

Figure 1 is a front elevation of the said embodiment represented as attached to and upon the pencil; Fig. 2 is a section plan of the same taken on line $x-x$ of Fig. 1; Fig. 3 is a side elevation of the same showing also the upper edge of the front of the pocket; Fig. 4 is a front elevation of the same with the movable jaw thereof open; Fig. 5 is a side elevation of the same, also open; Fig. 6 is a plan of the sheet-metal blank for forming the fixed jaw and abutments of the said embodiment; and Fig. 7 is a plan of the sheet-metal blank for forming the movable jaw.

In the drawing, the reference symbol 1 designates a sheet-metal circular or C-clip adapted to be slipped on fountain pens, pencils and like articles, the arms 4 of this clip being bent to be a little less in diameter than the article they are intended to be placed upon and to embrace the said article 5 from opposite sides thereof. In the instance illustrated in the drawing, there is a flange or abutment support 6, integral with the clip 1 and lying in a plane perpendicular, or substantially so, to the pen-holder 5. This flange or abutment or support 6 in the instance shown has a T shaped slot 14 therein, the corners of the metal at 24 forming fixed abutments, side and edge, as will hereinafter appear. The flange 6 also has perforated ears 7 and 8 which are parallel with each other in the final form of this clip or jaw 1.

The reference 2 designates a sheet-metal jaw, which is provided with prongs or teeth 21, ears 9 and 10, which engage with the perforated ears 7 and 8 above named, and which form pivots for the jaw 2; the jaw 2 is also provided with a spring tongue 13; formed by slitting the jaw 2 at 11, 12. It will be observed that by slitting the jaw 2 at 11, 12, as shown, the length of the jaw and the spring tongue 13 are reduced to a minimum. The teeth 21 are bent at right angles to the plane of the jaw 2 and are adapted to engage the edge of the pocket as shown in Fig. 3; or, in other cases, these prongs may engage with other parts or things to hold the same.

The tongue 13 is provided with shoulders 16 and 17 thereon, which are so located with respect to the axis or pivot of the jaw 2 and to the abutments 24 that said shoulders 16, 17 may bear against the flat sides of the said abutments 24 when the jaw 2 is in the position thereof shown in Figs. 1, 2 and 3, while the flat side of the spring 13 bears under the abutments 24 (that is, against their edges) when the spring and jaw are in the position thereof shown in Figs. 4 and 5. When the parts are in normal position (Figs. 1 to 3) the jaw 2 is prevented from turning on its pivot by the engagement of the shoulders 16, 17 with the sides of the abutments or angles 24, but said jaw is released by pressing the spring 13 toward the said pivots until the shoulders 16, 17 pass below the edges of the abutments 24, whereupon the jaw 2 may be moved to the position thereof shown in Figs. 4 and 5, at which time the spring 13 engages beneath the said parts or angles as indicated in Figs. 4 and 5 thereby holding the jaw 2 open. For convenience in operation, the spring 13 is provided with an extension 15 which is connected therewith by the neck 18 and which passes through the slot 14, and said extension 15 is provided with any suitable part for the finger to press upon, such as the folded end shown. It will be observed that the extension forms a lever whereby the spring jaw 2 may be depressed more easily to bring the shoulders 16, 17 below the edges of the overhanging abutments 24. The jaw 2 is closed or restored to a normal position by pressing thereon at or near the prongs 20, 21, as will be understood. The metal of the jaw may be

prolonged beyond the ears 9, 10 and be curved in below the flange 6, as is indicated at 22, 23, thus giving a smooth outer surface to the clip.

5 It is obvious that the flange or abutment support 6 may be mounted upon or be connected with any suitable support other than the clip 1 above named, without departing from the broad features of the invention as defined in the appended claims; and also
10 that the invention may be embodied in forms other than the specific forms shown in the drawing and above described.

15 What I claim as new and desire to secure by Letters Patent of the United States is:

1. A clip comprising a fixed jaw and a movable jaw having a spring extension, combined with an over-hanging abutment
20 against which the end of said spring abuts to lock the movable jaw in working position and under which said spring engages to hold said jaw open.

2. An abutment support formed of flat
25 metal having a T-slot therein forming abutments, combined with a jaw pivoted on an axis having a fixed relation to said abutment support, and a shouldered leaf spring connected with said jaw and passing
30 through said slot and coacting with said abutments to lock the said jaw in working position and to hold the same in open position.

3. An abutment support formed of sheet
35 metal provided with a T-slot therein forming abutments and with ears thereon, combined with a jaw pivotally connected with said ears, and a shouldered leaf spring connected with said jaw and passing through
40 said slot and coacting with said abutments to lock the jaw in working position and to hold the same in its open position.

4. An abutment support formed of sheet
45 metal and provided with a T-slot forming abutments and with ears, combined with a sheet metal jaw provided with ears and with a shoulder spring-tongue adapted to coact with said abutments and having an operating
50 arm extending through said slot.

5. An overhanging abutment support
55 having two faces at an angle with each other, combined with a member pivotally connected to said abutment, and a flat spring connected with said member and adapted to coact by its end and by its side with said faces to retain said member in each of two positions.

6. A clip for fountain pens and the like,
60 consisting of curved spring-members for gripping the pen-holder, and the like, an abutment, an abutment support connected therewith, a jaw pivotally connected to said abutment support, and a locking leaf spring connected with said jaw and adapted to coact

with said abutment to lock said jaw in its
65 working position.

7. A clip for fountain pens and the like,
70 consisting of curved spring-members for gripping the holder and the like, an abutment, an abutment support connected therewith, a jaw pivotally connected to said abutment support, and a locking leaf spring connected with said jaw and adapted to coact with said abutment to lock the jaw in its
75 working position and provided with an extension beyond said abutment to form an operating arm therefor.

8. A clip for fountain pens and the like
80 consisting of curved spring members for gripping the holder, pencil, and the like, an abutment, an abutment support provided with parallel ears, a jaw pivotally connected with said ears, and a locking leaf spring connected with said jaw and adapted to coact with said abutment to lock the jaw in its
85 working position.

9. A clip for fountain pens and the like,
90 consisting of curved spring-members for gripping the holder, pencil, and the like, an abutment support, comprising two united overhanging angles and provided with parallel ears, a jaw pivotally connected to said ears, and a locking leaf spring connected with said jaw and adapted to coact with said
95 angles to lock said jaw in its working position and provided with an operating arm extending beyond said abutments.

10. A clip for fountain pens and the like,
100 consisting of curved spring-members for gripping the holder and the like, a flat metal abutment support connected with said members and having a T-slot therein forming abutments, a jaw pivoted on an axis having a fixed relation to said abutments, and a
105 shouldered leaf spring connected with said jaw and passing through said slot and coacting with said abutments to lock the jaw in its working position and to hold the jaw in its open position.

11. A clip for fountain pens and the like
110 consisting of curved spring-members for gripping the holder, pencil, and the like, a sheet metal abutment support connected with said members and provided with a T-slot forming abutments and with ears, a sheet
115 metal jaw provided with ears and with a shouldered spring-tongue adapted to coact with said abutments and extending through said slot to form an operating arm.

12. A clip for fountain pens and the like,
120 consisting of curved spring-members for gripping the holder, pencil and the like, an abutment, an abutment support connected with said members and having two faces at angles with each other, a member pivotally
125 connected to said abutment support, and a flat spring connected with said member and adapted to coact by its end and by its side

with said faces to retain said member in each of two positions.

13. A clip for fountain pens and the like, consisting of curved spring-members for gripping the holder, pencil, and the like, a sheet metal abutment support provided with a T-slot forming abutments and with ears, a jaw pivotally connected with said ears, and a shouldered leaf spring connected with said jaw and passing through said slot and coacting with said abutments to lock the jaw in working position and to hold the same in its open position.

14. In a clip for securing a fountain pen or a pencil in a pocket, the combination of a front jaw and a back jaw jointed together, the back jaw having a divided barrel or C-shaped clip part formed with it to grip the fountain pen or pencil and also having

an upper cross bar in which is a T-shaped slot, the front jaw having an upwardly projecting spring lever made with a narrow neck and shoulders which abut against the underside of the cross bar when the clip is closed but which will pass through the wider part of the T-slot when the necked end of the spring lever is pressed towards the fountain pen or pencil in opening the clip, the said spring tongue thus serving to hold the front jaw either in its opened or in its closed position, substantially as set forth.

In testimony whereof I have signed my name to this specification in the presence of two subscribing witnesses.

FRANCIS ROBERT BAKER.

Witnesses:

CHARLES BOSWORTH KETLEY,
THOMAS JOHN ROWE.