

June 19, 1928

1,674,261

B. M. PALMER
PENCIL GRIPPER

Filed April 6, 1927

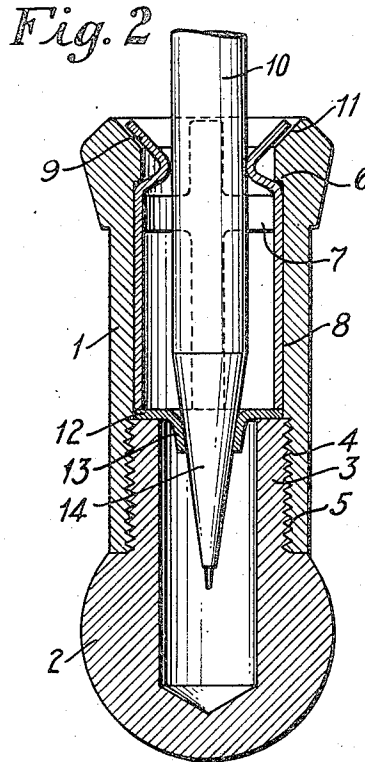
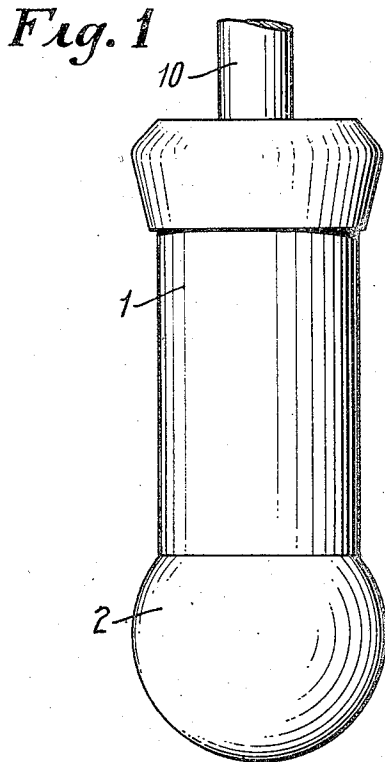


Fig. 3

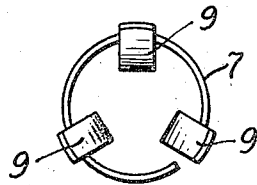
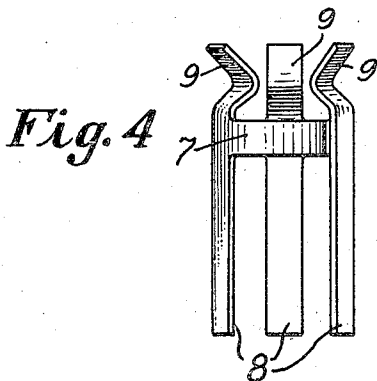
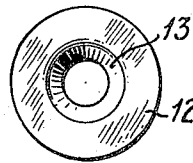


Fig. 5



Bernard M. Palmer
INVENTOR

BY *Odson and Roe*

ATTORNEYS

UNITED STATES PATENT OFFICE.

BERNARD M. PALMER, OF JANESVILLE, WISCONSIN. ASSIGNOR TO THE PARKER PEN COMPANY, OF JANESVILLE, WISCONSIN, A CORPORATION OF WISCONSIN.

PENCIL GRIPPER.

Application filed April 6, 1927. Serial No. 181,417.

My invention relates to that class of devices described in the application of Walter Guyot, Serial No. 83,857, filed Jan. 26, 1926, and has for its object to provide an inexpensive device, suitable to be mounted in a pen receiving receptacle of the character described in said application, said device to be formed so as to yieldingly engage the body portion of a pencil.

My means of accomplishing the foregoing object can be more readily comprehended by having reference to the accompanying drawings, in which:

Fig. 1 is a side elevation of a pen receiving receptacle;

Fig. 2 is a vertical sectional view of the same, equipped with my improvement;

Figs. 3, 4, 5 and 6 are detail views.

Similar reference numerals refer to similar parts throughout the entire description.

As shown in the drawings, the pen receiving receptacle comprises a cylindrical sleeve 1 and a ball 2, the latter being formed with a neck or stem 3, upon which are cut threads 4 which are adapted to engage internal threads 5 cut on the inside of the sleeve 1, adjacent its lower end. The upper portion of the sleeve 1 is provided with an internal shoulder 6, ordinarily used to hold in position the pen gripping portion (not shown).

My improvement comprises a flexible, resilient pencil gripper which is formed of stamped metal, having an annular portion 7, a plurality of downwardly and outwardly extending fingers 8, and a plurality of upwardly and inwardly extending fingers 9. These fingers 9 extend inwardly until they grip the body portion of the pencil 10, and are then flared outwardly, as clearly seen in Fig. 2, and rest upon the flaring portion 11 of the sleeve 1. On the bottom of the fingers 8, and resting upon the end of the neck or stem 3, is a disk 12 which acts as a stop, which may be stamped from metal, or formed of any other suitable or desired material. This disk 12 has a central downwardly extending portion 13, which is drawn from the metal if the disk 12 is stamped, the inner wall of said portion 13 being tapered to fit the tapered part of the point 14 of the pencil 10. In some instances it may be found desirable to make this downwardly depending portion 13 with a plurality of fingers instead of an annular

member, which, of course, can be done without departing from my invention.

The operation of the device is exceedingly simple. The annular member 7 is compressed until it is small enough in diameter to be pushed into the sleeve 1 until the annular part 7 has passed the shoulder 6, when it is released, and the springiness of the metal causes it to engage the shoulder 6, while the fingers 8, by reason of their being compressed, exert considerable friction upon the internal wall of the sleeve 1, further assisting in holding the pencil gripper firmly in position. The disk 12 is placed upon the end of the neck or stem 3, which is then screwed into position, the disk 12 being held fixedly in place by abutting the ends of the fingers 8.

Having thus described my invention, what I regard as new, and desire to secure by Letters Patent of the United States, is:

1. The combination, with a receptacle, of a pencil gripping device mounted therein, said device comprising an annular portion having downwardly extending fingers which contact the walls of said receptacle, a plurality of upwardly and inwardly extending fingers adapted to grip the body of a pencil, a stop having a central tapered opening which fits the pencil point, said stop abutting the ends of the downwardly extending fingers.

2. The combination, with a receptacle, having an internal shoulder adjacent one end, of a pencil gripper mounted in said receptacle and abutting said shoulder, said pencil gripper comprising an annular portion, a plurality of fingers which extend upwardly from one side of said annular portion, said upwardly extending fingers being bent inwardly, a plurality of fingers which extend downwardly from the other side of said annular portion, said downwardly extending fingers being bent slightly outwardly, and means located at the lower end of said downwardly extending fingers to engage the pointed portion of a pencil.

3. The combination, with a receptacle, having a ball on one end, there being a neck or stem on said ball, threads cut thereon which fit threads cut on the internal wall of the pen receptacle, of a pencil gripper formed of resilient material mounted in said pen receptacle, a stop having a central

tapered opening which fits the pencil point, said stop being mounted upon the top of the neck or stem, and abutting the pencil gripper.

- 5 4. The combination, with a receptacle, having a ball on one end, there being a neck or stem on said ball, threads cut thereon which are fitted to threads cut on the internal wall of the pen receptacle, of a pencil gripper formed of resilient material, having
10 a plurality of fingers which extend downwardly and outwardly, a plurality of fingers which extend upwardly, are bent inwardly and then flare outwardly, and a stop
15 mounted intermediate the top of the neck

or stem and the ends of the downwardly depending fingers.

5. The combination, with a receptacle, of a pencil gripping device mounted therein, having a plurality of downwardly extending
20 fingers which contact the walls of said receptacle, a plurality of upwardly and inwardly extending fingers adapted to grip the body of a pencil, a stop having a central
25 tapered opening which fits the pencil point, said stop abutting the ends of the downwardly extending fingers.

BERNARD M. PALMER.