

PATENT SPECIFICATION

456,888

Application Date : July 22, 1936. No. 20296/36.

Complete Specification Accepted : Nov. 17, 1936.



COMPLETE SPECIFICATION.

Improvements in Pens, Pencils, and Similar Writing Instruments

We, THOMAS LESLIE BEEBY, Manager, a British Subject, of "Foxbar," Watford Road, St. Albans, in the County of Herts, and ALEC FINBURGH and DAVID FINBURGH, both British Subjects, trading
 5 as the Wyvern Fountain Pen Co., of Brooke Street, Holborn, London, E.C.1, do hereby declare the nature of this invention and in what manner the same is to be performed, to be particularly described and ascertained in and by the following statement:—

This invention relates to pens and pencils and similar writing instruments, such as stylos, and the invention is particularly applicable to propelling pencils having a detachable cap at the top or non-pointed end for covering a container for spare leads. The invention is also
 10 applicable to a protecting sieve or cover which can be fitted over the point of a pen or pencil to protect it.

According to the invention the aforesaid detachable cap or the protecting cap of a fountain pen, for example, or a protector for an ordinary wooden pencil, is provided with a lens and an associated transparent picture so that it is adapted for the display of advertisements or other interesting pictures when the lens is looked through. This is arranged by providing a transverse hole through the cap or protecting cover in alignment with a lens fitted into one wall of the cover and with
 15 one or more minute pictures or advertisements on a transparent or translucent material over a hole diametrically opposite the lens so that by looking through the lens at the pictures against the light an enlarged view of the advertisement or the like is obtained. More than one lens and its associated transparent picture may be provided in the cap, while several caps with different pictures may be provided
 20 for alternative attachment to the same pen or pencil.

One example of a construction according to the invention as applied to an ordinary propelling pencil is illustrated in the accompanying drawing, in which:—

Fig. 1 is an elevation of a propelling pencil with the lens and the related transparent picture fitted in the top cap,

Fig. 2 is an enlarged section, on line II—II of Fig. 3, of a separate top cap, 55

Fig. 3 is a sectional plan view of Fig. 2, taken through the line III—III of Fig. 2.

The pencil comprises an ordinary body part 1 and a pointed end 2 through which the lead projects, and the top cap 3 is secured to the other end of the body by a screw 4, which may either be the screwed end of a receptacle for spare leads (in the case where relative rotation between the body 1 and the pointed end 2 causes the lead to project or retract) or the screw 4 may be the end of the operating mechanism for causing the projection or retraction of the lead. Through the cap is bored a transverse hole 5 at one end of which is fixed a lens 6 while at the other end of the hole 5 is secured a piece of transparent material 7 bearing some advertising matter or an illustration so that when a person looks through the lens towards the transparent material 7 an enlarged view of the advertisement or picture is visible. If the top cap 3 is hollow the lens is fitted at one point in its circular wall and is fixed inside an opening in the wall of the cap and opposite this lens is provided another opening which is covered by the transparent picture. There may be provided other holes or openings fitted with lenses and pictures, either in line with, but below, the hole 5 or transversely thereof, or more than one transparency may be associated with the same lens. The cap may be of the cylindrical shape shown or may be of some other geometrical or decorative shape; for example, it may be shaped like a crown. 60 65 70 75 80 85 90

Alternative caps may be provided for the same pencil and bearing different advertisements or representations and although the particular arrangement has been described in connection with a propelling pencil it may obviously be applied to the protecting cap of a fountain pen for example, or to a protecting cap which can be placed over the sharpened end of an ordinary wooden-bodied pencil. 95 100

Having now particularly described and ascertained the nature of our said invention and in what manner the same is to 105

be performed, we declare that what we claim is:—

1. A top cap or protecting cover adapted for attachment to a writing instrument such as a pen or pencil and having provided therein a lens which has associated therewith one or more transparencies which can be seen enlarged by looking through the lens.
2. A cap or protecting cover according to Claim 1 and having two or more lenses and associated transparencies.
3. A pen or pencil having a plurality

of caps or covers according to Claim 1 which can be substituted for one another and each having a different representation opposite the lens.

4. A top cap for a propelling pencil substantially as described with reference to the accompanying drawing.

Dated this 22nd day of July, 1936.

ARTHUR E. EDWARDS,
Chartered Patent Agent,
Lincoln House,
296-302, High Holborn, London,
Agent for the Applicants.

[This Drawing is a full-size reproduction of the Original.]

FIG. 1.

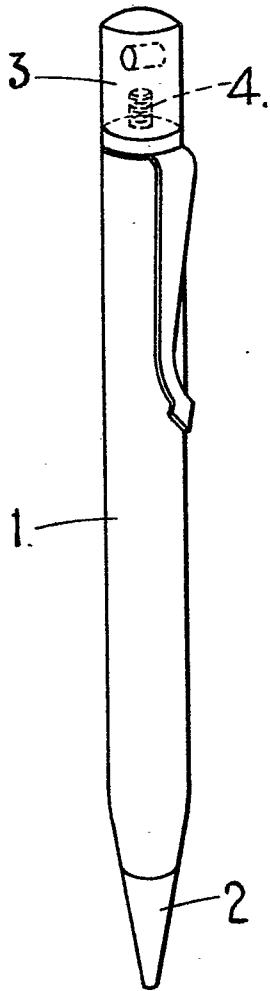


FIG. 2.

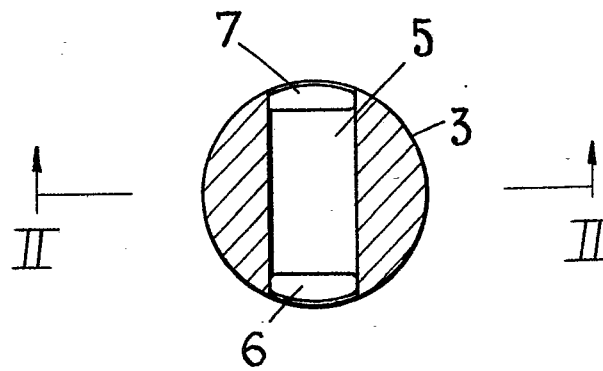
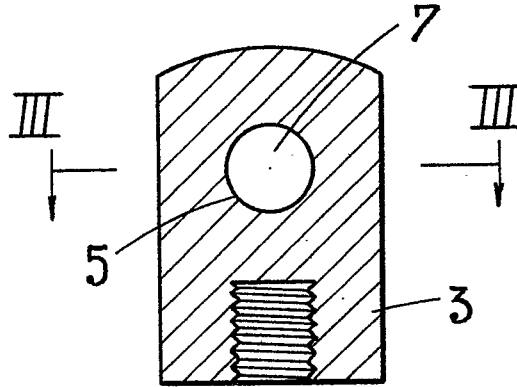


FIG. 3.