

No. 825,153.

PATENTED JULY 3, 1906.

V. L. OCHOA.  
PEN FOR FOUNTAIN PENS.  
APPLICATION FILED SEPT. 23, 1905.

FIG. 1

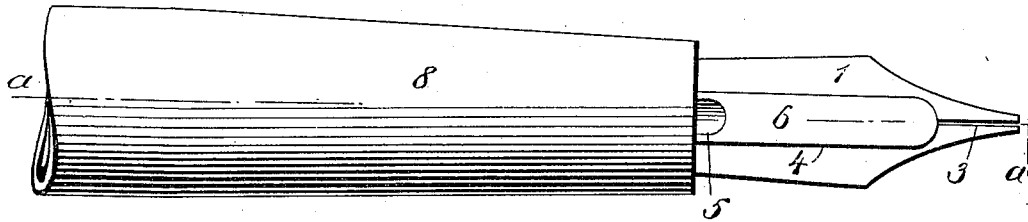


FIG. 2.

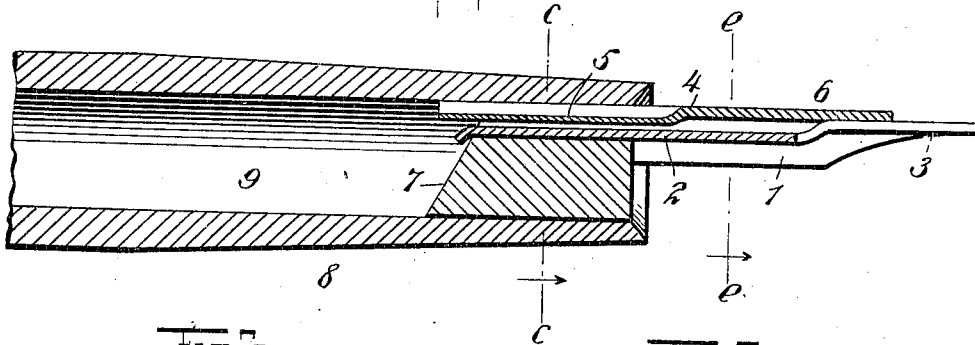


FIG. 3.

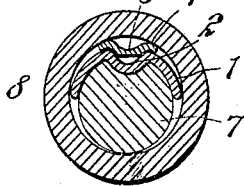


FIG. 4.

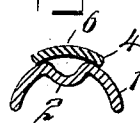


FIG. 5.

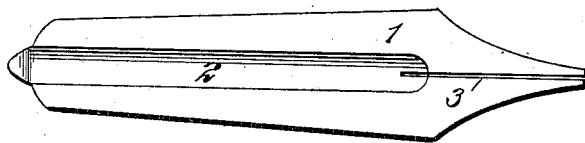
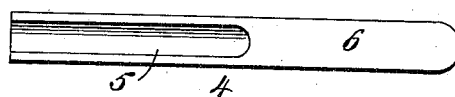


FIG. 6.



WITNESSES:  
*H. Curtis*  
*E. A. Pierce*

INVENTOR:  
*Victor L. Ochoa,*  
By his Attorney  
*A. M. Pierce.*

# UNITED STATES PATENT OFFICE.

VICTOR L. OCHOA, OF ROSEVILLE, NEW JERSEY, ASSIGNOR OF ONE-HALF  
TO BENJAMIN A. JACKSON, OF NEW YORK, N. Y.

## PEN FOR FOUNTAIN-PENS.

No. 825,153.

Specification of Letters Patent.

Patented July 3, 1906.

Application filed September 23, 1905. Serial No. 279,777.

*To all whom it may concern:*

Be it known that I, VICTOR L. OCHOA, a citizen of the United States, residing at Roseville, in the county of Essex and State of New Jersey, have invented a certain new and useful Improvement in Pens for Fountain-Pens, of which the following is a specification, reference being had therein to the accompanying drawings.

My invention relates especially to the construction and arrangement of pens employed with an ink-reservoir constituting the pen-holder, and has for its object the provision of a very effective pen of this character.

To attain the desired end, my invention consists, essentially, in a pen having a longitudinal depression or groove in its upper surface extending from the split to the heel of the pen, in combination with a cover or top piece having a corresponding groove or depression arranged to fit within the groove in the pen, and my invention also involves certain novel and useful combinations or arrangement of parts and peculiarities of construction and operation, all of which will be hereinafter first fully described and then pointed out in the claims.

In the drawings, Figure 1 is a plan view of a pen embodying my invention. Fig. 2 is a longitudinal sectional view at line *a a* of Fig. 1. Fig. 3 is a cross-sectional view at line *c c* of Fig. 2, and Fig. 4 is a like view at line *e e* of the same figure. Fig. 5 is a plan view of my pen removed from the holder or reservoir with the top piece removed. Fig. 6 is a plan view of such top piece.

Similar numerals of reference wherever they occur indicate corresponding parts in all the figures.

1 is the pen or pen-body, having a depression or groove 2 therein extending substantially from the slit to the heel of the pen. This depression or groove is preferably made one thirty-second of an inch deep and one-sixteenth of an inch wide in order to accomplish the best results.

4 is a cover or top piece having a groove or depression 5 arranged to enter the groove 2 in the pen and an ungrooved portion 6.

7 is a plug arranged to retain the pen and top piece in place in a holder 8, constituting an ink-reservoir 9.

In use ink flows slowly from the reservoir 9 through the constricted passage formed by the groove 2 and the depression 5 in the top piece to the small reservoir formed by the groove 2 and the ungrooved portion of the top piece, and from thence it is fed down the slit 3 to the point of the pen. By this arrangement the ink is caused to flow at such a rate as to provide an adequate supply for writing without any accumulation of ink at the point of the pen, which often takes place in ordinary constructions, causing blots and thick lines. The depression or groove 5 of the top piece 4 provides an effective guide and means for retaining such piece in an immovable position on the top of the pen and also a channel for the admission of air to the reservoir 9 to take the place of the ink used therefrom in writing.

Having now fully described my invention, what I claim as new therein, and desire to secure by Letters Patent, is—

1. A pen having a longitudinal depression or groove in its upper surface extending from the slit to the heel, in combination with a top piece having a grooved portion and an ungrooved portion forward of said grooved portion, a ridge at the under side of the grooved portion, said ridge entering the groove in the pen-body substantially as shown and described.

2. A pen in which is comprised a pen-body having a groove or depression in its upper surface extending from the slit to the heel, and a top piece having a grooved portion, a ridge formed on the under side of the top piece, said ridge fitting into the groove in the pen-body, thereby forming an ink-passage below the top piece and an air-passage above the same, and an ungrooved portion on said top piece extending over the groove in the pen-body forward of the grooved portion of the top piece, forming an ink-reservoir, substantially as shown and described.

In testimony whereof I hereto affix my signature in presence of two witnesses.

VICTOR L. OCHOA.

Witnesses:

LOUIS F. BRAUN,  
A. M. PIERCE.