

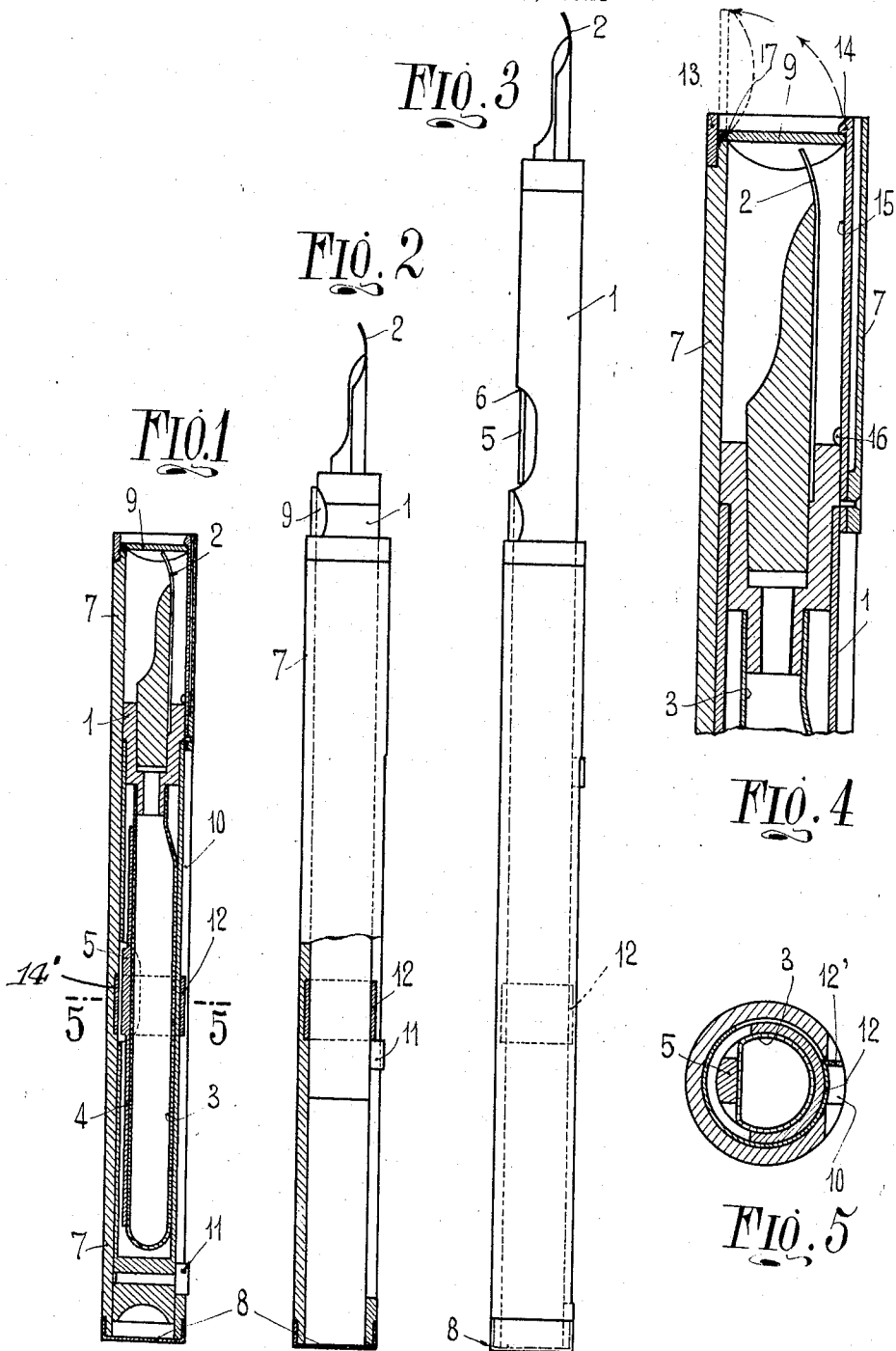
Aug. 3, 1926.

1,594,740

I. LEVI

FOUNTAIN PEN

Filed Dec. 7, 1925



Inventor
I. Levi
by *Langmuir, Parry, Card & Langmuir*
Attys

UNITED STATES PATENT OFFICE.

ISAIA LEVI, OF TURIN, ITALY.

FOUNTAIN PEN.

Application filed December 7, 1925, Serial No. 73,777, and in Germany January 5, 1925.

The present invention relates to fountain pens and has for its object a fountain pen comprising a pen body carrying the metal nib and including an ink container of flexible material, and a barrel in which said body is located in a manner to be moved longitudinally therein to cause the nib to project therefrom in writing position, or to clear an opening of said body in order to act on said ink container to fill the same with ink, by suction.

On the annexed drawing is shown by way of example a pen according to the present invention, wherein:—

Figure 1 is a longitudinal section of the pen in closed and inoperative position;

Figure 2 is an elevation with parts shown in section;

Figure 3 is a side view of the pen ready for the filling operation;

Figure 4 is a fragmentary longitudinal section showing in detail and to an enlarged scale the nib end of the pen;

Figure 5 is a transverse section to an enlarged scale on line 5—5 of Figure 1.

As shown in the drawing, the pen comprises a hollow body 1 having a nib 2 fastened thereon and including within it a flexible container 3, of rubber for example. Along this container 3 extends a rigid strip 4 whose intermediate portion 5 may be acted on from outside through an opening 6 provided in the wall of body 1.

Said body 1 is located within a barrel 7 having a closed end 8 and its opposite end provided with a swinging shutter 9.

Said barrel 7 has a longitudinal slot 10 in which may move a stud 11 fixed to body 1 and in a groove 14' of said barrel is located a split ring 12 having a grasping web 12', said ring being movable to leave said slot free or to obstruct it.

In the embodiment illustrated the shutter 9 is pivoted on the edge of the barrel 7 which is preferably provided with an end ring 13, and said shutter 9 is held in closed position by a tooth 14 of a blade spring 15 fastened in the barrel 7 (see Fig. 4) and having also a projection 16 engageable by the body 1 at the beginning of its displacement towards the open-pen position.

The shutter 9 which has a convex shape to provide an extension of the surface of the wall of barrel 7, may be provided with

a spring such as 17 acting to push it to open position.

When the pen is out of use it is entirely closed, the metal nib being enclosed in the barrel 7 and the shutter 9 being closed and clamped by tooth 14 and spring 15 (Fig. 1).

In order to put the pen in writing condition the user slides the stud 11 along slot 10. The front end of body 1 acts on the projection 16 of blade spring 15 and shifts it to release the shutter 9 which is then free to open. The further motion of body 1 carries the nib outside of the barrel 7 as shown in Figure 2. The displacement of body 1 is limited by the ring 12 which is generally the position shown in Figure 5 in which it obstructs the slot 10.

In order to fill the pen with ink the ring 12 is shifted by its web 12' to free the slot 10, and the stud 11 is then slid forward to the front end of slot 10, this manipulation causing the body 1 to extend almost entirely from barrel 7 (Fig. 3). It is then possible to collapse the flexible container 3 by pressing the part 5, to thus fill the container with ink after the nib is dipped in the ink.

Of course modifications lying within the appended claims may be introduced in the described pen; as for instance, a different closing means may be substituted for the shutter 9 which may or may not be acted on by the displacement of body 1 with respect to barrel 7.

The pen according to the present invention combines advantages of pens having movable nibs with advantages of self-filling pens, the pen being strong and simple and being easily manipulated because the pen body is mounted to move longitudinally in a barrel which is closed at both ends when the pen is out of use.

What I claim as my invention and desire to secure by Letters Patent is:—

1. A fountain pen, comprising, a barrel, a pen body mounted to reciprocate in the barrel, a nib on the body, a collapsible ink container in the body, means for acting on the container from outside of the body, means arranged to move the body to place it in retracted position within the barrel and to withdraw it therefrom, and stop means for arresting movement of the body in its writing nib position, the stop means being movable to allow further withdrawal

of the body to its filling position for permitting manipulation of the means for acting on the container.

2. A fountain pen, comprising, a barrel
 5 having a closed end and a longitudinal slot, a split ring in the barrel arranged for movement to extend across the slot or to leave it free, means for operating the ring, a pen body mounted to reciprocate in
 10 the barrel and ring, a shoulder on the body extending into the slot, a nib on the body, a collapsible ink container in the body, means for acting on the container from out-
 15 side of the body, the shoulder being slidable in the slot to shift the body to retracted position within the barrel and to withdraw it therefrom through the open end of the barrel, the split ring restricting movement of the shoulder and body in writing nib
 20 position or permitting further withdrawal of the body, into filling position for permitting operation of the means for acting on the container actuating means, in ac-

cordance with the ring position with respect to the slot, and movable closure means at 25 the open end of the barrel.

3. A fountain pen, comprising, a barrel, an apertured pen body mounted to reciprocate in the barrel, a nib on the body, a collapsible ink container in the body, a rigid 30 strip in the body and extending along the container, an operating knob connected to the strip and extending through the aperture in the body, means for shifting the body to carry it to retracted position with- 35 in the barrel or to withdraw it therefrom with the operating knob clear of the barrel, stop means for stopping said body in writing nib position, the stop means being movable to allow the further withdrawal of the 40 body into the operating knob clearing position, and movable closure means for the open end of the barrel.

In testimony whereof I have signed my name to this specification.

ISAIA LEVI.