

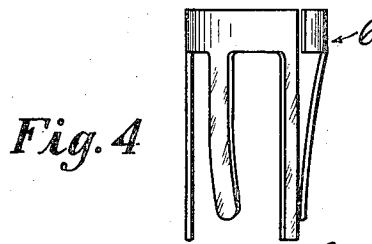
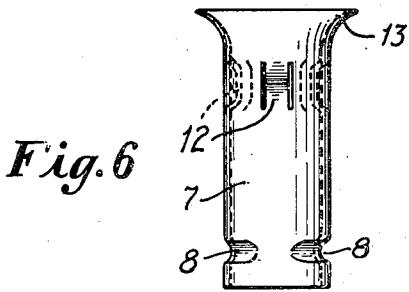
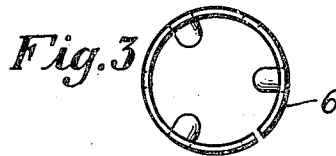
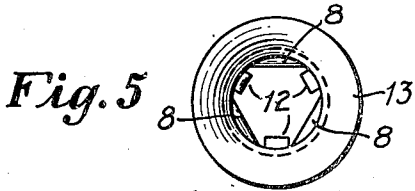
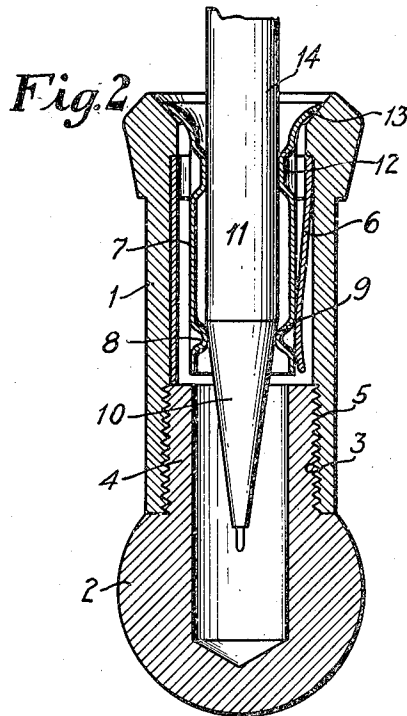
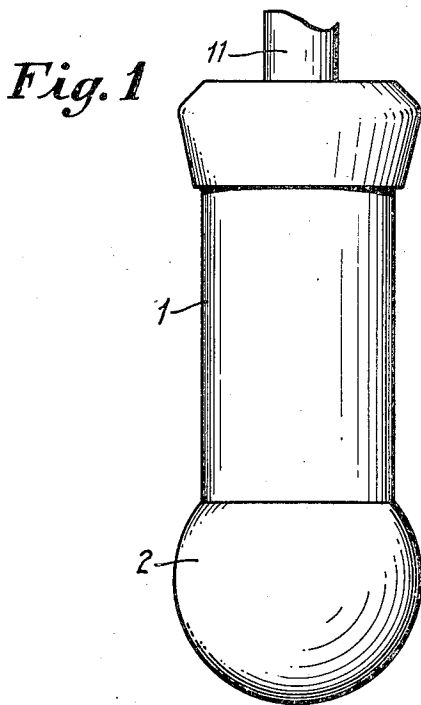
June 19, 1928.

1,674,259

B. M. PALMER

PENCIL GRIPPER

Filed April 6, 1927



Bernard M. Palmer  
INVENTOR

BY *Dodson*  
ATTORNEY

ATTORNEY

Patented June 19, 1928.

1,674,259

# UNITED STATES PATENT OFFICE.

BERNARD M. PALMER, OF JANESVILLE, WISCONSIN, ASSIGNOR TO THE PARKER PEN COMPANY, OF JANESVILLE, WISCONSIN, A CORPORATION OF WISCONSIN.

## PENCIL GRIPPER.

Application filed April 6, 1927. Serial No. 181,415.

My invention relates to desk sets, such as are described in the application of Walter Guyot, Serial No. 83,857 filed Jan. 26/26. It is customary in devices of this character to provide a number of pen receptacles, and it frequently happens that it is desirable to have one of the receptacles contain a mechanical pencil instead of a pen, but the pen gripping devices provided in these pen receiving receptacles are not adapted to hold a mechanical pencil.

My invention has for its object to provide a simple and inexpensive device which can be inserted in the pen receiving receptacle, and which will permit the insertion of a mechanical pencil, such as the "Big Brother" pencil manufactured by The Parker Pen Company, and hold it conveniently for use.

My means of accomplishing this object will be more readily comprehended by having reference to the accompanying drawings, in which—

Fig. 1 is a side elevation of my improved device;

Fig. 2 is a vertical sectional view;

Figs. 3 and 4 are detail views of the pen gripper;

Figs. 5 and 6 are detail views of the pencil gripper. Similar reference numerals refer to similar parts throughout the entire description.

As shown in the drawings, the pen receptacle is formed in two parts, 1 and 2, which are joined to each other by threads 3, cut upon the neck or stem of the part 2, which are fitted to internal threads 5 cut on the pen receiving portion of the receptacle. Mounted in the pen receptacle is a pen gripper 6 such as is shown in the application of Blackman and Hjorth, Serial No. 138,841, filed October 1, 1926, which is provided with a plurality of inwardly extending resilient fingers to grip the pen.

My pencil gripper is formed of a cylindrical sleeve 7, which is provided with a peripheral groove 8 adjacent its lower end, which is adapted to be gripped by the ends of the resilient fingers on the pen gripper 6, so as to hold the sleeve 7 securely in position when it is inserted in the pen receiving receptacle. The inner wall 9 of the groove 8 is adapted to engage the pointed portion 10 of the pencil 11, of which only a fragmentary portion is shown, as obviously it forms no part of my invention. A plurality

of indentations 12 are formed near the other end of the sleeve 7, the inner walls whereof are adapted to engage the body portion 14 of the pencil 11, as clearly shown in Fig. 2. The outer end of the sleeve 7 is provided with a flaring portion 13, to facilitate the entry of the pencil 11.

The operation of the device is very simple. All that is necessary is to push sleeve 7 into the pen receiving receptacle until the pen gripper 6 engages the groove 8, thus preventing the withdrawal of the sleeve 7. A pencil 11 can then be inserted, and is held therein securely, but flexibly.

Having thus described my invention, what I regard as new, and desire to secure by Letters Patent of the United States, is:

1. A pencil gripper, comprising a combination with a receiving receptacle having a gripping device therein, of a cylindrical sleeve of resilient material, having a peripheral groove adjacent its lower end, an outwardly flaring portion at its upper end, and a plurality of indentations where the flaring portion joins the cylindrical portion, the inner walls of said indentations engaging the body of a pencil, the inner wall of said groove engaging the pointed portion of the pencil, and the gripper engaging the groove to hold said sleeve in place.

2. A pencil gripper, comprising a receiving receptacle having a gripping device therein, a sleeve mounted in said receptacle and held in position by the gripping device, the walls of said sleeve being formed so that they will engage the body and point of a pencil.

3. A pencil gripper, comprising the combination with a receiving receptacle having a gripping device therein, of detachable means inserted in said gripping device and held thereby, portions of said pencil gripper being adapted to engage a pencil at different locations.

4. A pencil gripper, comprising the combination with a receiving receptacle of means to grip a pencil, and means to detachably hold said gripping means in said receiving receptacle.

5. A pencil gripper, comprising a receiving receptacle having a gripping device, and resilient means detachably held in position by said gripping device to receive and hold a pencil.

BERNARD M. PALMER.