

July 4, 1933.

K. S. PARKER

1,916,808

DESK SET

Filed July 18, 1931

FIG-1

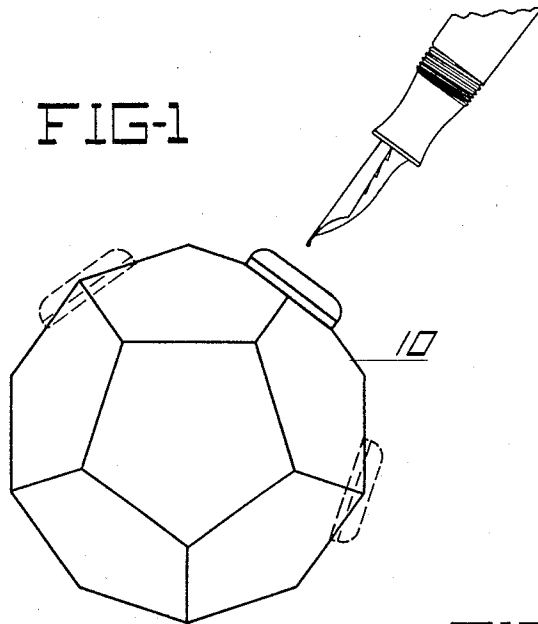


FIG-2

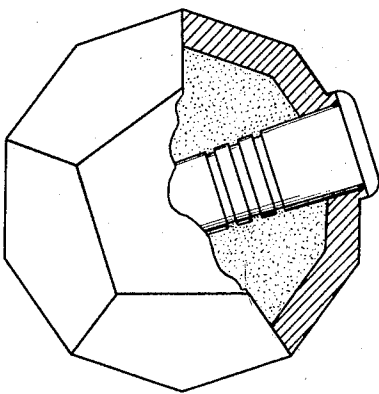


FIG-3

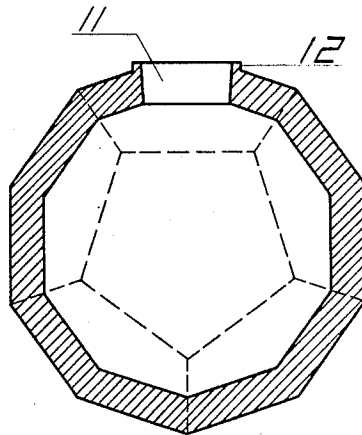
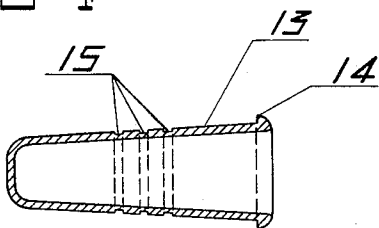


FIG-4



Kenneth S. Parker
INVENTOR
J. O. Jeff
ATTORNEY

UNITED STATES PATENT OFFICE

KENNETH S. PARKER, OF JANESVILLE, WISCONSIN, ASSIGNOR TO THE PARKER PEN COMPANY, OF JANESVILLE, WISCONSIN, A CORPORATION OF WISCONSIN

DESK SET

Application filed July 18, 1931. Serial No. 551,716.

My invention relates to desk sets of that character including means adapted to receive and support a fountain pen or other writing instrument.

As is well known, many desk sets of the foregoing character heretofore devised have included a base, a receiving receptacle for the writing instrument and interconnecting means between the base and the receptacle for adjustment movements of the receptacle to a plurality of different angular positions with respect to the base in order that the writing instrument may be conveniently accessible from any position which the user may assume with respect to the desk set. These prior desk sets have quite successfully served their intended purpose, but they are somewhat expensive due to the comparatively large number of parts and the character of the mechanical structure required for accomplishment of the various angular movements of the receptacle.

One of the objects of my invention is to provide a desk set wherein the receiving receptacle and the writing instrument supported thereby are capable of adjustment to a plurality of angular positions without the use of adjustable interconnecting means between the receptacle and its support.

Another, and more specific, object is to provide a desk set which includes, a receiving receptacle mounted upon a base, the base being portable and of itself capable of adjustment to a plurality of different positions with respect to its supporting surface for positioning the receiving receptacle and/or the writing instrument contained therein in a plurality of different angular positions with respect to the base supporting surface, including positions on the opposite sides of a vertical line passing from the base supporting surface through the base.

Another object is to provide a desk set having a base in the form of a faceted spherical or ball-like member with the receiving receptacle (or other writing instrument receiving means) fixedly secured therein whereby seating of such member upon different facet surfaces effects adjustment of the writing instrument into different angular positions with respect to the surface supporting the faceted member.

Other objects are to provide a desk set which is exceedingly simple in construction and cheap to manufacture and is subject to a

minimum of wear thereby increasing the life of the same; to provide a desk set which, because of its general contour, structure and weight, may well serve the purpose of a paper weight, being readily shifted from one position to another; and to provide a desk set of the foregoing character which requires but little space in use and which may be readily and quickly stored away, as in the drawer of a desk, for safekeeping.

Other objects and advantages will become apparent as this description progresses and by reference to the drawing which specifically sets forth one form of my invention.

In the drawing:

Figure 1 is a plan view of one form of desk set embodying my invention and illustrating a portion of a fountain pen directly over the receiving receptacle, the said view also indicating three different positions of adjustment of said set producing different angular adjustments of the receptacle and pen;

Fig. 2 is a fragmentary plan view of the desk set disclosing the manner of mounting the receiving receptacle in the base;

Fig. 3 is a sectional view of the desk set without the receiving receptacle mounted therein; and

Fig. 4 is a longitudinal sectional view of the receiving receptacle which is adapted to be fixed in the base.

In the drawing, numeral 10 generally indicates a hollow faceted moulded glass base (of ball-like or spherical form) having opening 11 and a projecting collar 12 formed therein. A moulded or formed receptacle 13 having a shoulder 14 is adapted to be inserted into the opening 11 of the base 10, the shoulder 14 resting on the flat top edge of the extending collar or neck 12. Radially extending grooves 15 are formed in the wall of the said receptacle for a purpose which will be mentioned hereinafter.

In the assembly of the receptacle in the base, the said base is filled approximately three-fourths full of tar or other material having a consistency that will permit it to harden and then the receptacle is inserted in base aperture 11 and forced into the tar. That portion of the receptacle which is forced into the tar is of an area equal to that of the unfilled portion of the hollow base so that when the said receptacle is forced into the tar, the material will expand so as to

completely fill the said base. The tar will naturally flow into the exterior receptacle grooves 15 so that when the tar hardens, the receptacle will be firmly fixed in the base 10.

5 The function of the assembled device is quite readily perceived. With a writing instrument inserted in the receptacle 13, and the base 10 supported upon a flat surface such as a desk or the like, the writing instrument
10 is held in one predetermined position ready to be grasped for use. The base 10 may be rotated from one facet to the other (as illustrated in dotted lines in Fig. 1) thereby effecting different predetermined angular
15 adjustments of the writing instrument; wherefore, in effect, this very simple construction has the same adjustment advantages as the the prior structures hereinabove mentioned. Furthermore, it is obvious that my invention
20 provides an exceedingly inexpensive structure which is durable-all without sacrifice of highest desk set efficiency.

With the use of different colored tar, or materials of like nature, and by affixing designs to the inside of the hollowed glass base,
25 the said base can be effectually ornamented so, in addition to being a useful article, it can be made quite decorative.

While I prefer to use larger facets such as
30 illustrated for greater stability of the set, yet it can readily be perceived that the number of facets on the base 10 may be increased to obtain more positions of adjustment of the writing instrument and, vice versa, fewer
35 facets may be provided to obtain fewer positions of adjustment without departing from my invention. It will also be understood that while I have shown only one form of my invention, changes in details and arrangement of parts may be made without departing from the spirit and scope of my invention as defined by the claims which follow. For example, in certain instances the receiving receptacle may be omitted; in which
40 case the base member may take a solid form with the opening corresponding to opening 11 extended and shaped to receive and support a writing instrument. Or if the base is filled with a substance which tends to harden, the opening 11 may likewise be extended
45 to provide recess means for the writing instrument.

I claim:

1. A writing instrument receptacle comprising in combination a base, an aperture in said base, and means on and integral with said base whereby upon oscillation thereof a writing instrument mounted in said aperture may be angularly adjusted relative to the
50 plane on which the base rests.

2. In a desk set, a portable base, a receiving receptacle immovably secured to said base, said base having means for retaining said base in angularly varied positions on a
35 supporting surface to adjust said receptacle

to a plurality of angular positions with respect to said supporting surface.

3. In a desk set, a portable base having a plurality of seating surfaces thereon adapted to rest upon a supporting surface, a receiving
70 receptacle immovably secured to said base, said base seating surfaces being angularly located with respect to each other so that said receptacle is positioned in a different angular position with respect to said supporting surface when said base is moved from one of said
75 seating surfaces to another.

4. In a desk set, a portable base taking the form of a spherical member having a plurality of facets thereon, and a receiving receptacle immovably supported by said base and adjustable to a plurality of different angular positions with respect to the surface upon which the base rests by seating said base upon
80 different of said facets.

5. In a desk set, a ball-like base member having a plurality of facets thereon, a receiving receptacle secured in said base member and in which a writing instrument is adapted to be inserted, said base member having sufficient weight to support itself, said receptacle, and writing instrument upon any of said facets without tipping or displacement, and each said facets being so arranged relative to the others that each facet predetermines a different angular position for said
85 receptacle with respect to the surface supporting said base member.

6. In a desk set, a spherical base member having a faceted exterior surface, said base
90 having recess means therein for receiving and holding a writing instrument, each said facet being arranged angularly with respect to the adjacent facets so that a writing instrument when mounted in said recess means is held in
95 different angular positions with respect to surface supporting said base member when different facets are employed as the base seating surface.

7. In a desk set, a portable base having
100 recess means therein for the reception and support a writing instrument, said base having means for retaining said base in angularly varied positions with respect to its supporting surface to vary the position of a supported writing instrument angularly with respect to said base supporting surface.
105

8. In a desk set, a base having a plurality of angularly disposed seating surfaces thereon for supporting it in different predetermined
110 angular positions with respect to its supporting surface, recess means in said base for receiving and holding a writing instrument, said writing instrument being movable to different angular positions with respect to said
115 base supporting surface by moving said base from one angular seating surface to another.

Signed at Janesville this 3rd day of July, 1931.

KENNETH S. PARKER. 120