

April 21, 1931.

W. HEAGNEY

1,801,310

DESK SET PENCIL HOLDER

Filed Nov. 12, 1927

Fig. 1

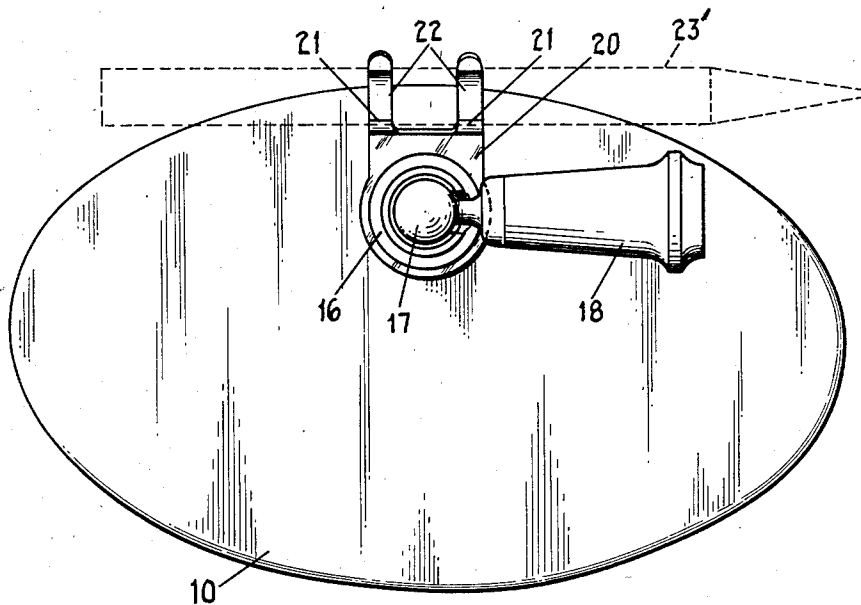
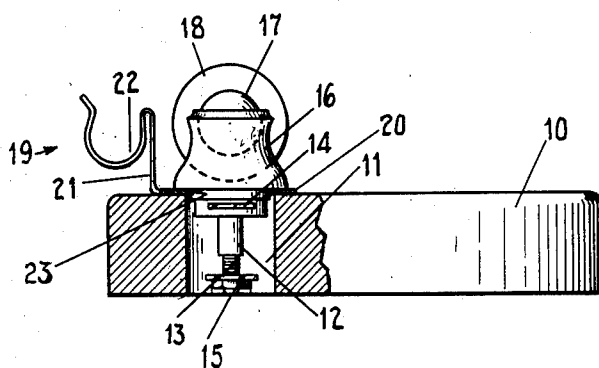


Fig. 2



INVENTOR
Walter Heagney
BY
Dodson & Roe
ATTORNEYS

UNITED STATES PATENT OFFICE

WALTER HEAGNEY, OF JANESVILLE, WISCONSIN, ASSIGNOR, BY MESNE ASSIGNMENTS,
TO PEN DESK SET COMPANY, A CORPORATION OF ILLINOIS

DESK-SET PENCIL HOLDER

Application filed November 12, 1927. Serial No. 232,728.

My invention relates to the stationery art, and particularly to desk sets to receive and retain in position for quick and ready use a pen, preferably a fountain pen, and a pencil.

5 Desk sets for receiving fountain pens are now in constant use, and it is my purpose to provide a combination receptacle so that a pencil, preferably a mechanical pencil, may be received and held in place, as well as the
10 pen.

A further object is to make my pen and pencil receiving device in combination and mounted in a common base, which base fits into an opening prepared for it in the base
15 supporting the desk set, and to be firmly but rotatably held in place thereby.

My invention consists of certain details of construction, hereinafter set forth, pointed out in my claims, and illustrated in the accompanying drawings, in which—

Fig. 1 shows a plan view of a desk set fitted out with my device, a pencil being shown (in dotted lines) resting in its receiver; and

Fig. 2 shows a side elevation view, partially in section, of the desk set fitted out with my improved device.

Similar reference numerals refer to similar parts throughout the entire description.

Referring to the accompanying drawing, the base 10 of a desk set is provided with an opening 11, to receive the means for rotatably securing my pen and pencil receiver. This securing means, as shown, consists of a shaft 12, screw-threaded at 13 on its lower end, which passes through openings in a pair of spaced parallel bars 14 and 15, which are anchored in a socket 16 and in the base 10, respectively, and preferably as shown in the co-pending application of Horace L. Blackman, Serial No. 130,116, filed August 19, 1926, for securing means for receiving receptacle for pens. The socket 16 receives, for universal movement therein, a ball or sphere 17, to which I secure the pen receiving receptacle 18. The lower surface of the socket 16 is preferably flat, and of greater width than the opening 11 so that the socket 16 overlaps the opening 11 on all sides.

My pencil holding means 19 consists of a base portion 20, provided with a central ori-

fice 23 through which the shaft 12 passes, this base portion 20 is mounted intermediate the base 10 and the lower surface of the socket 16. Extending outwardly from the base portion 20—and upwardly—is an arm 21 which, near its extremity, is shaped to form a hook, or rack, 22, of proper size to receive the pencil 23' which is to be held in place thereby. The extreme end of the arm may be bent, as may be necessary, to form a spring for holding the pencil firmly in place, if desired (as clearly shown in Fig. 2 of the drawings), or the arm may be formed of two spaced and parallel curving members, if desired (as clearly shown in Fig. 1 of the drawings), without changing my invention, the essential feature of which is to combine a proper and convenient pencil holding rack, or hook, with a pen holding receptacle, the two forming one common device to be received and held rotatably in place in the base of a desk set.

Having thus described my invention, what I claim, and desire to secure by Letters Patent of the United States, is:

1. In a desk set, the combination with a base having a writing instrument receiving-receptacle mounted thereon, and means for mounting said receptacle on the base, of another writing instrument receiver rotatably secured upon said base by said first instrument receiving-receptacle mounting means.

2. In a desk set, the combination with a base, a writing instrument receiving-receptacle, and means for securing said receptacle in said base, of a writing instrument rack mounted upon said base intermediate said receptacle mounting means and base.

3. In a desk set, the combination of a base, a writing instrument rack, means for mounting said rack upon said base including a writing instrument receiving-receptacle, and means operable independently of said rack for movement of said receptacle to different angular positions above the horizontal.

4. In a desk set, a base, a support for a writing instrument mounted upon said base, said support having a horizontal rack part adapted to grippingly support said instrument, and separate support means for another writ-

55
60
65
70
75
80
85
90
95
100

- ing instrument for movably anchoring said support to said base.
5. In a desk set, a base, a support for a writing instrument mounted upon said base, said support having a rack part adapted to support said instrument in a horizontal position above said base, and separate means including another writing instrument supporting device for movably anchoring said support to said base.
6. In a desk set, a base, a spring metal writing instrument support mounted on said base, said support having an upright part which terminates in a parti-circular shape to provide a supporting element with yieldable embracing arms which receive the instrument, and separate means for anchoring said support to said base including another support for a writing instrument.
7. A desk set comprising a base, a writing instrument rack rotatably secured upon said base, and separately detachable means for rotatably securing said rack including a receptacle member for receiving another writing instrument.
8. In a desk set, a base, a spring metal support formed to grippingly-receive a writing instrument, means for mounting said support upon said base including a member secured to said base, said support being disposed between said base and member, said member being adapted to receive and support another writing instrument.
9. In a desk set, a base, and a writing instrument holder mounted on said base, said holder having a part resting upon said base, an upright part, and a yieldable clip part carried by said upright part and adapted to yieldingly embrace said instrument, and means for mounting said holder including a member above and engaging said holder part which rests upon said base, and a device for securing said member to said base to secure said holder.
10. In a desk set, a base, a writing instrument support mounted upon said base, another writing instrument support having a part embracing said first support for holding said first support in mounted position upon said base, and means connected to said second-named support and associated with said base for securing said second-named support rotatably upon said base.
11. In a desk set, a base, two members adapted to embrace and support writing instruments upon said base, and means associated with one of said members and said base for so rotatably securing both of said members upon said base that each may be independently rotated.
12. In desk set structure adapted to be mounted upon a base, a writing instrument supporting unit including a part adapted to support one writing instrument and another part adapted to support another writing instrument, and anchoring means engaging one of said parts and adapted to engage the base for securing both said parts to the base for independent rotation relative to the base.
13. In a desk set, a base, a pencil-receiving member mounted upon said base, and means for anchoring said pencil-receiving member to said base including a pen-receiving receptacle member having a part associated with said pencil-receiving member, and securing means associated with said pen-receiving receptacle member and said base for rotatably anchoring both said members to said base.
- WALTER HEAGNEY.

80

85

90

95

100

105

110

115

120

125

130