

N^o 19,773



A.D. 1912

Date of Application, 29th Aug., 1912

Complete Specification Left, 24th Feb., 1913—Accepted, 12th June, 1913

PROVISIONAL SPECIFICATION.

Improvements in Fountain Pens.

We, THOMAS DE LA RUE & COMPANY, LIMITED, Manufacturers, and ALFRED FARMER, Engineer and Tool Maker, both of 110, Bunhill Row, in the City of London, do hereby declare the nature of this invention to be as follows:—

This invention relates to improvements in fountain pens.

5 According to this invention the ink feed bar is pressed outwards, that is, into its working position by the action of a spring; preferably the spring is helical and is contained in a cavity in the feed bar.

10 On the inside of the cap, which fits over the nib when not in use, is a plug having a coned end for fitting into the corresponding coned end of the pen. As the cap is screwed onto the pen the plug pushes back the feed bar against the action of the spring and when the cap is fully screwed on the end of plug is firmly seated on the coned end of the pen thus preventing any leakage.

Dated this 27th day of August, 1912.

15 THOMAS DE LA RUE AND COMPANY, LIMITED.

EVELYN DE LA RUE,
STUART DE LA RUE,
Directors.

20 F. A. POWELL,
Secretary.

A. FARMER.

COMPLETE SPECIFICATION.

Improvements in Fountain Pens.

25 We, THOMAS DE LA RUE & COMPANY, LIMITED, Manufacturers, and ALFRED FARMER, Engineer and Tool Maker, both of 110, Bunhill Row, in the City of London, do hereby declare the nature of this invention and in what manner the same is to be performed, to be particularly described and ascertained in and by the following statement:—

This invention relates to improvements in fountain pens.

30 Heretofore it has been proposed to make a pen with a sliding feed bar carrying the nib, which feed bar and nib are pressed outwards by a spiral spring surrounding the feed bar, the pen being also provided with a cap having a pin adapted to press the feed bar and nib inwards against the action of the spring and a plug or washer adapted to engage with the end of the pen.

35 According to this invention the ink feed bar is pressed outwards, that is, into

[Price 8d.]



Improvements in Fountain Pens.

its working position by the action of a spring whilst the nib which is carried by the pen remains stationary. On the inside of the cap which fits over the nib when not in use is a plug having a coned end for fitting into the corresponding coned end of the pen and on the cap is a screw thread engaging with a screw thread on the pen. As the cap is screwed onto the pen the plug pushes back 5 the feed bar against the action of the spring and when the cap is fully screwed on the end of plug is firmly seated on the coned end thus preventing any leakage.

The drawings illustrate a pen made in accordance with this invention.

Figure 1 is a longitudinal section of a pen with the cap screwed upon it while 10 Figure 2 is a similar view with the cap removed. Figure 3 is a longitudinal section of the cap and Figures 4 and 5 show the ink feed bar.

The pen is made in two parts *a* and *b* screwed together at *c*, the part *b* carrying the nib *d*. Beneath the nib *d* is an ink feed bar *e* pressed outwards by a spring *f* contained in the cavity *g* in which it is held by a pin *h* on the part *b*. On the 15 inside of the cap *i* is a plug *j* having a coned end *k* adapted to fit into the coned end of the part *b*. The cap *i* is provided with an internal screw *l* by which it is attached to the pen and as the cap is screwed onto the pen the plug *j* pushes the feed bar *e* back against the action of the spring *f* and when it is fully screwed on the end *k* is firmly seated on the end of the part *b* and so prevents leakage. 20

Having now particularly described and ascertained the nature of our said invention and in what manner the same is to be performed, we declare that what we claim is:—

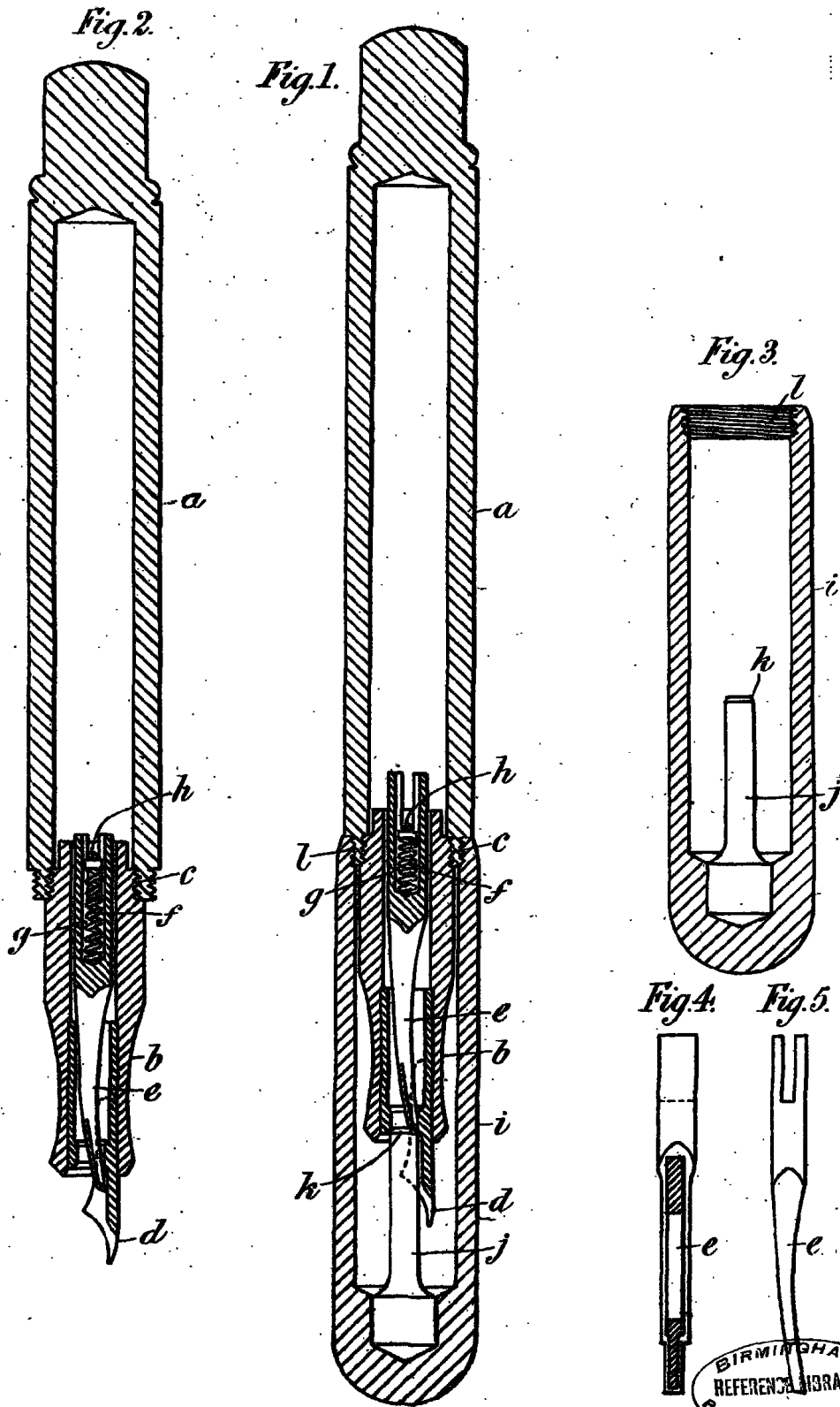
1. A fountain pen having an ink feed bar which is pressed outwards by a spring whilst the nib remains stationary, substantially as described. 25
2. In combination with a feed bar as in Claim 1 a cap having a plug adapted to press the ink feed bar inwards and having an end adapted to be seated on the end of the pen substantially as described.
3. Fountain pens substantially as described and illustrated in the drawings.

Dated this 24th day of February, 1913. 30

ALFRED FARMER.

Carpmael & Co.,
Agents for Applicants,
24, Southampton Buildings, London, W.C.

[This Drawing is a reproduction of the Original on a reduced scale.]



BIRMINGHAM
REFERENCE LIBRARY
PUBLIC LIBRARIES