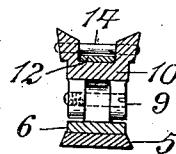
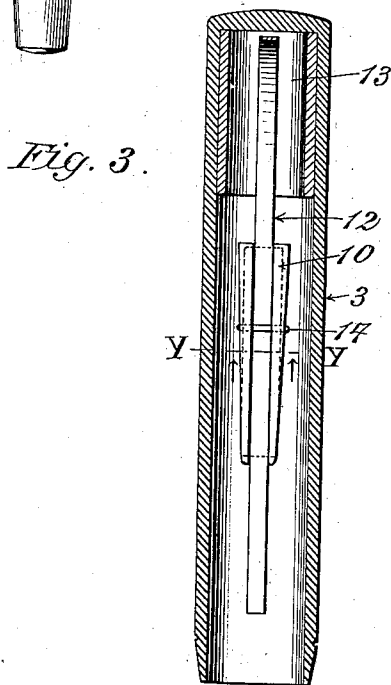
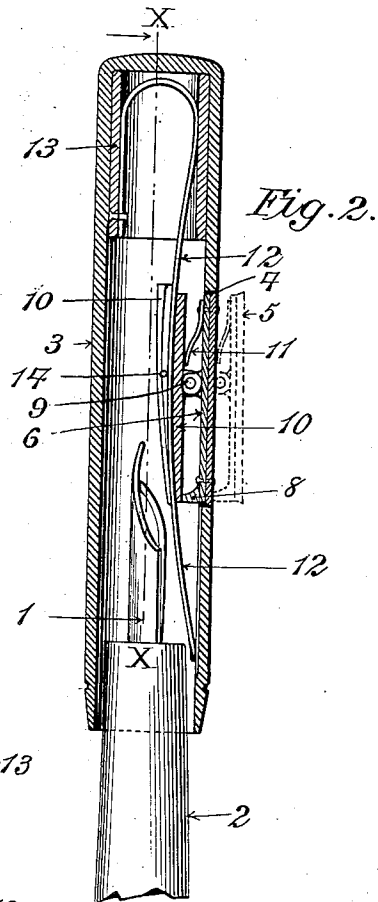
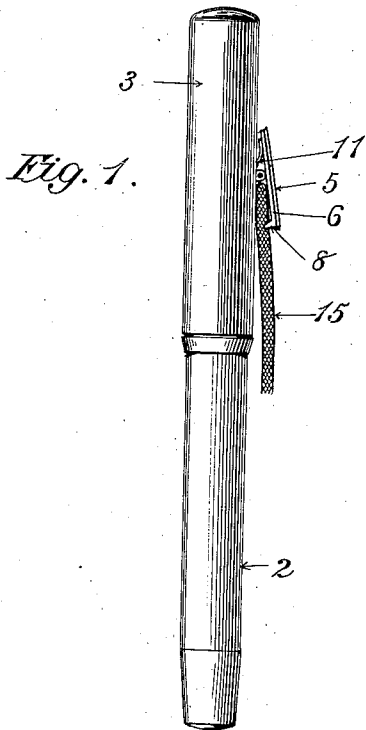


No. 854,584.

PATENTED MAY 21, 1907.

A. MARTINELLI.  
CLIP OR SUSTAINING DEVICE FOR FOUNTAIN PENS.  
APPLICATION FILED AUG. 20, 1906.



Witnesses  
Edward C. Rowland.  
M. F. Keating

Inventor  
Arnold Martinelli.  
By his Attorney  
Charles J. Kintner.

# UNITED STATES PATENT OFFICE.

ARNOLD MARTINELLI, OF WEST HOBOKEN, NEW JERSEY.

## CLIP OR SUSTAINING DEVICE FOR FOUNTAIN-PENS.

No. 854,584.

Specification of Letters Patent.

Patented May 21, 1907.

Application filed August 20, 1906. Serial No. 331,254.

*To all whom it may concern:*

Be it known that I, ARNOLD MARTINELLI, a subject of the King of Italy, and residing at West Hoboken, county of Hudson, and State of New Jersey, have made a new and useful Invention in Clips or Sustaining Devices for Fountain-Pens, of which the following is a specification.

My invention is directed particularly to a novel improvement in such devices as are used in connection with the caps or covers of fountain pens, lead-pencils and similar articles for temporarily securing the same to the clothing of the user at a point at all times readily accessible, as for instance, to some portion of the pocket of a coat or vest.

My invention will be fully understood by referring to the accompanying drawings, in which,

Figure 1 is a side elevational view illustrating a well known form of fountain pen secured in its cap or cover with my improvement applied thereto and attached to a portion of the pocket of a coat or vest. Fig. 2 is an enlarged longitudinal sectional view taken through the body of the cap or cover, showing also the pen and a part of its holder in elevational view ready to be inserted so as to bring the clip or sustaining device into operative position, as shown in dotted lines. Fig. 3 is an additional enlarged longitudinal sectional view of the cap or cover, taken on the line X—X, Fig. 2 and as seen looking thereat from left to right in the direction of the arrows. Fig. 4 is a still further enlarged sectional view taken through Fig. 3 and illustrating the clip or sustaining part on the line Y—Y Fig. 3 and as seen looking thereat from the bottom toward the top of the drawings.

My invention has for its objects—first, to provide a clip or sustaining device which shall be normally wholly concealed within the body of the cap or cover for the pen and shall only be visible and accessible for use when the pen proper is inserted in its cap or cover. Second, to provide a clip or sustaining device which shall not afford any obstruction to the user when writing.

Referring now to the drawings in detail, 1 represents a fountain pen and 2 the holder thereof, 3 being the cap or cover, all of said parts being of usual construction.

4 represents a rectangular shaped opening in one side of the cap or cover of the proper length and width and properly beveled to receive a removable lid or door 5, similarly be-

eled, and of the same material and similar decoration as is the cap or cover itself. In other words, of such material and decoration as to correspond identically with the like features of the cap or cover so that when the opening is closed the cap or cover presents an entirely symmetrical cylindrical surface. To this cap or cover is secured by rivets, glue, or in any preferred manner, a metallic plate 6 which in turn is pivotally secured by a pivot pin 9 to a metallic supporting part 10, having a curvilinear groove on its under surface and inclined side faces, as shown in Fig. 4, 12 being a sustaining spring therefor adapted to fit in the before-mentioned groove longitudinally, said spring being held in place within the groove by a pin 14 and resting at one end against the interior surface of the cap or cover 3, but secured at the other end with in a metallic cylinder 13 of substantially the same exterior diameter as the interior diameter of the cap or cover.

8 is a holding toe for the metallic plate 6 and 11 is a leaf-spring at the other end thereof.

15 represents a piece of cloth, such as one of the faces of the pocket of the user.

The parts are put together in the cap or cover 3 as follows—The spring 12 is secured within the cylinder 13; the metallic supporting part 10 is then secured to the spring 12 at the proper point by the pin 14 and the parts as thus assembled are slipped into the cap or cover with the part 10 directly opposite the opening 4. The pen 1 and its holder 2 are then inserted and the parts forced outward until in the position shown, at which time the metallic plate 6 which constitutes the essential part of the clip or sustaining device is secured to the part 10 by the pivot pin 9 in such manner as to place the leaf-spring 11 under stress and to bring the toe of the clip in firm contact with one end of the part 10. In this position the pen and its holder are ready for the use of the clip or sustaining device and the user simply presses that end of the same which is provided with the leaf-spring 11 and lowers it into the position shown in Fig. 1 afterward releasing it so that the toe 8 firmly secures the clip to the cloth 15. When it is desired to use the pen it is removed from its point of support in the same way, the pen 1 and its holder 2 are withdrawn and on the act of such withdrawal the spring 12, by reason of its resiliency and its connection with the clip or sustaining device draws

the latter inward into a concealed position and with such force as to firmly seat the lid or door 5 and give to the cap or cover 3 a complete cylindrical or symmetrical appearance in cross section, thereby preventing the clip or sustaining device from offering any obstruction to the user while using the pen, and also giving to the entire structure a neat symmetrical appearance.

10 I do not limit my invention to the especial details of construction illustrated in the accompanying drawings and hereinbefore described, as I believe I am broadly entitled to claim a concealed clip or sustaining device 15 for a fountain pen, lead pencil or similar article designed to attach the same to the clothing of the user in which said sustaining device is held concealed in a cap or cover therefor when the implement is being used, 20 and also a sustaining device of this nature which is brought into operative position for use by the housing or insertion of the pen or pencil into the cap or cover for its protection, and my claims are generic as to these fea- 25 tures.

Having thus described my invention what I claim and desire to secure by Letters Patent of the United States is—

30 1. In a fountain pen a clip or sustaining device therefor concealed in the cap or cover thereof and adapted to be exposed for use by the insertion of the pen within said cap, substantially as described.

35 2. A cap or cover for a fountain pen provided with a clip or sustaining device normally exposed for use when the pen is housed or concealed and adapted to be concealed within the cap when the pen is removed therefrom, substantially as described.

40 3. A cap for a fountain pen provided with an opening and a lid or door for closing the

same; in combination with a clip or sustaining device secured to said door; said clip being made operative for sustaining the parts to the body of the user when the pen is 45 housed or concealed, substantially as described.

4. A fountain pen cap or cover provided with an opening and a clip or sustaining device adapted to pass into and out of said 50 opening and to be made operative for sustaining all of the parts of the pen and said cap when the pen is housed or concealed, substantially as described.

5. A cap or cover for a fountain pen provided with a clip or sustaining device movable into and out of the said cap and adapted to be moved in one direction on inserting the pen into the cap, in combination with elastic or yielding means for moving said clip in a 60 reverse direction on removing the pen from the cap, substantially as described.

6. A cap or cover for a fountain pen having an opening therein, a clip or sustaining device yieldingly secured within the cap and 65 adapted, when the pen is removed, to close the opening, and when the pen is housed or concealed to expose the clip for use, substantially as described.

7. A cap or cover for a fountain pen having a yieldingly sustained clip located wholly 70 within the same when the pen is removed and adapted to be exposed for use when the pen is housed or concealed in the cap, substantially as described.

75 In testimony whereof I have signed my name to this specification in the presence of two subscribing witnesses.

ARNOLD MARTINELLI.

Witnesses:

C. J. KINTNER,  
M. F. KEATING.