

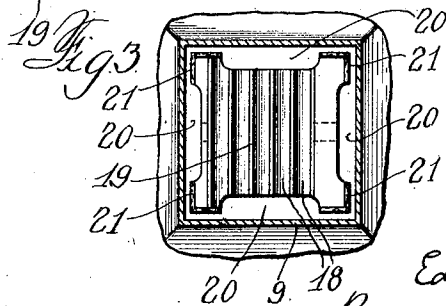
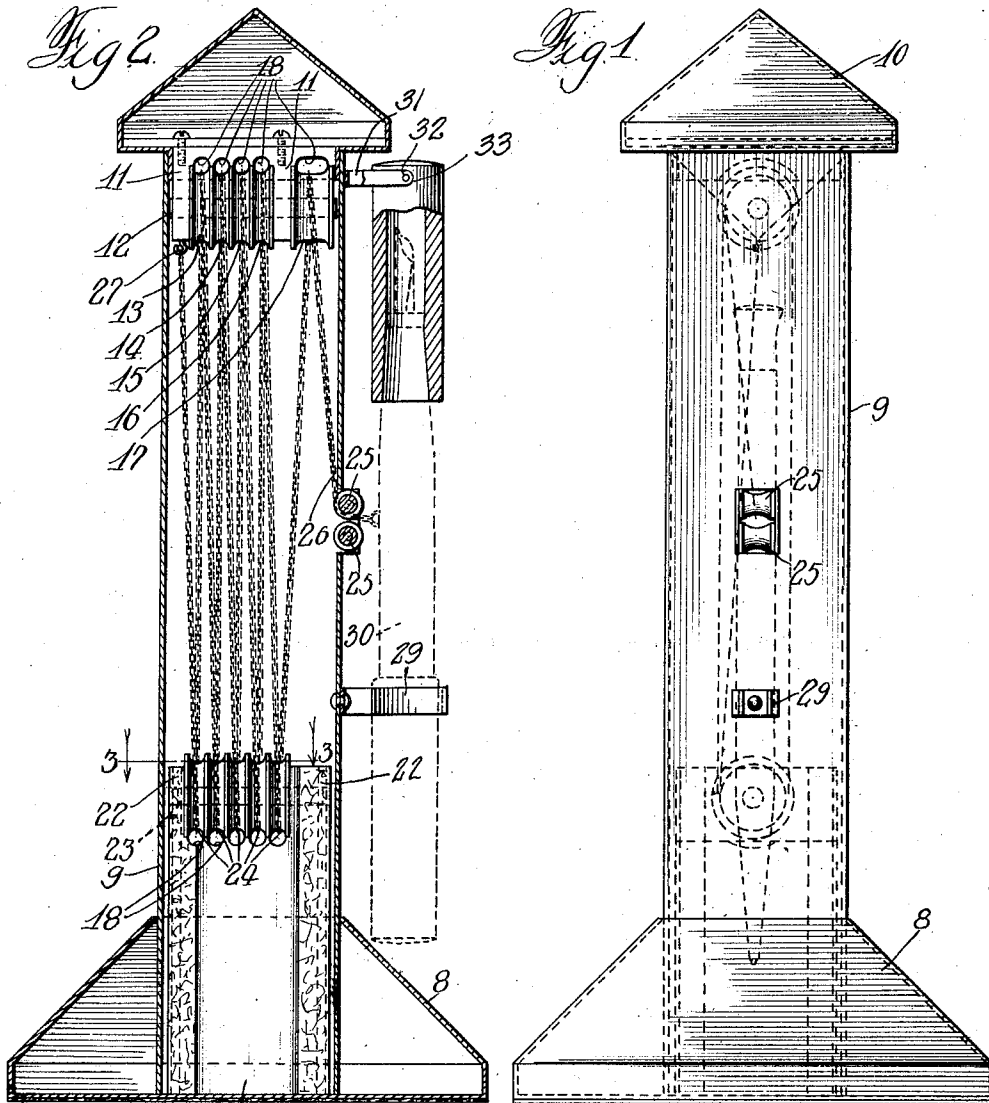
Dec. 31, 1929.

E. E. JOHNSON
PEN AND PENCIL MOUNT

1,741,368

Filed June 18, 1923

2 Sheets-Sheet 1



Witness:
David S. Magnusson.

Inventor:
Edward E. Johnson
By: Nissen & Lewis Attys.

Dec. 31, 1929.

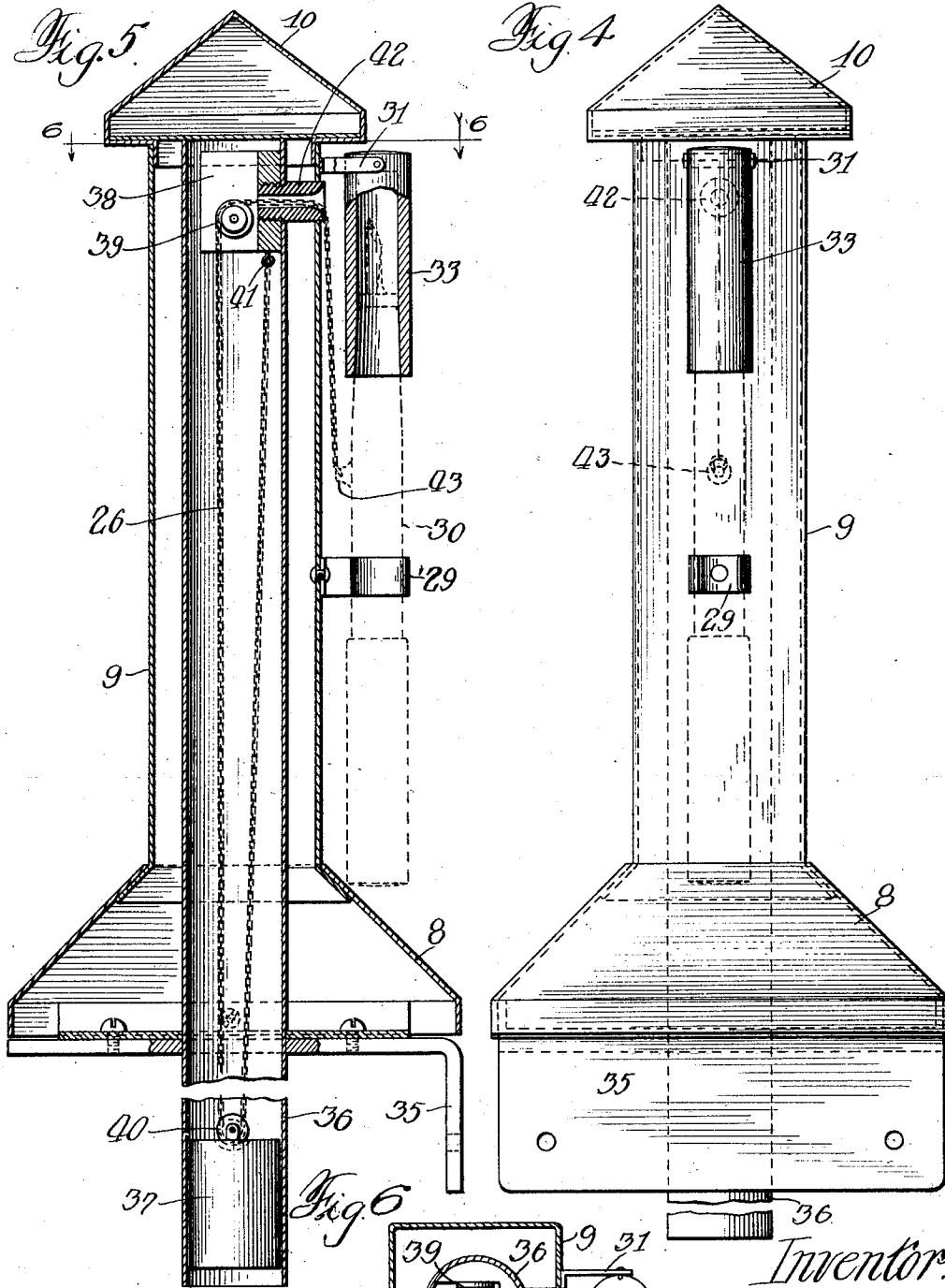
E. E. JOHNSON

1,741,368

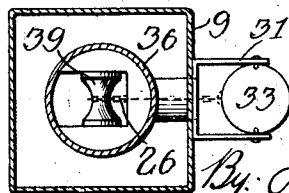
PEN AND PENCIL MOUNT

Filed June 18, 1923

2 Sheets-Sheet 2



Witness:
Nare S. Magnusson.



Inventor:
Edward E. Johnson
By: Nissen & Gramberg

UNITED STATES PATENT OFFICE

EDWARD E. JOHNSON, OF FORT MADISON, IOWA, ASSIGNOR TO W. A. SHEAFFER PEN COMPANY, OF FORT MADISON, IOWA, A CORPORATION OF DELAWARE

PEN AND PENCIL MOUNT

Application filed June 18, 1923. Serial No. 646,042.

My invention relates to a mounting for pens and pencils and has for one of its objects the provision of a device of this character adapted for permanent attachment to a desk, or the like, so as to maintain a pen or pencil in position for use at such desk.

A further object is the provision of an ornamental mounting having means for supporting a pen or pencil in easily accessible position with means for automatically holding such pen or pencil normally in the position mentioned.

A further object is the provision of a pen or pencil mounting with a chain for preventing surreptitious removal of the pen or pencil from the mounting.

A further object is the provision of a pen or pencil mounting having means for preventing surreptitious removal and means within the mounting for automatically taking up the means secured to the pencil.

A further object is the provision of a pen or pencil mounting having guide pulleys therein, a chain for attaching a pen or pencil to, and means for preventing the removal of such chain from said pulleys.

Other objects will appear hereinafter.

Embodiments of my invention are illustrated in the accompanying drawings, forming a part of this specification, and in which—

Fig. 1 is a front elevation of a pencil holder embodying my invention;

Fig. 2 is a vertical section of the same structure used for a fountain pen;

Fig. 3 is a transverse fragmental section taken on line 3—3 of Fig. 2;

Fig. 4 is a different form of device embodying my invention and indicated as having a fountain pen attached thereto;

Fig. 5 is a vertical section of the same; and

Fig. 6 is a section taken on line 6—6 of Fig. 5.

Referring more particularly to the drawings, in Figs. 1 to 3, inclusive, I have indi-

cated a housing having a base 8 formed of sheet metal of pyramidal form. Extending down into the base 8 is a tube 9 which in the present instance is square in cross-section. The bore of the tube 9 provides a weight guide. At the top of the tube 9 is a head 10 of ornamental design. This head is also of pyramidal form. It will be apparent that the cross-section of the tube 9, base 8 and head 10 may be given any desired shape.

Within the upper portion of tube 9 and adjacent the head 10 is a bearing block 11 which may be fixed in any desired manner. In the bearing block is provided a shaft 12 upon which a plurality of pulleys 13, 14, 15, 16 and 17 are mounted.

The part of the block 11 adjacent the peripheries of the pulleys 13 to 17, inclusive, is provided with notches or transverse grooves 18 which cooperate with the adjacent portions of these pulleys to hold a chain or cable from jumping off the pulleys in use. The openings 18 are preferably of such size as will permit the chain or cable to run through freely and prevent such chain or cable from either being caught between the pulleys and block 11 or jumping off the pulleys.

In the bottom portion of the tube 9 is a weight 19 which in the present instance is somewhat rectangular in cross-section with portions cut out at 20 so as to minimize the friction surface between the weight 19 and inner wall of the tube 9. The corner and engaging surfaces of the weight 19 may be provided with felt strips 21 or other means for preventing rattling of the weight as it passes up and down the tube 9. It will be apparent that the cross-section of the weight 19 may be given any desired shape. At the top of the weight 19 are two upstanding ears 22 in which is mounted a shaft 23 and upon shaft 23 is a plurality of pulleys 24 corresponding in size and number with pulleys 13 to 16, inclusive. The top of weight 19 is

also provided with grooves 18 similar to grooves 18 in block 11 so as to hold the cable or chain in operative condition in said pulleys.

5 In one side of the tube 9 I provide a guide which is adapted to permit the easy passage of the chain or cable out through the side of said tube. In Figs. 1, 2 and 4 this guide consists of two grooved pulleys 25 at a convenient height in the side of said tube. A chain or cable 26 passes between pulleys 25 over pulley 17 and progressively through the other pulleys in the multiplex set of pulleys already mentioned with an end of the chain attached as at 27 to a portion of block 11 or any other convenient fixed point in the device. The end of the chain 26 adjacent the pulleys 25 is attached in any desirable manner to the side of a pencil 28. The tube 9 is also provided with a clip 29 which is adapted to engage the pencil and facilitate holding it in convenient position on the side of the housing.

15 With this arrangement, when it is desired to use the pencil the latter is taken from clip 29 and drawn away from the housing which pulls the chain 26 over the pulleys and raises weight 19 until a sufficient amount of chain 26 has been withdrawn through pulleys 25 for using the pencil. When it is desired to return the pencil to its position indicated in Fig. 2 it is only necessary to let go of it and the weight acting through gravity automatically withdraws the chain into the tube 9 and lowers the weight 19 to the normal position or that indicated in the drawings.

20 By referring to Fig. 1 it will be seen that the end portions of the pulleys 25 are closely adapted to form wedges for automatically holding the chain with a braking action against the tension exerted by the weight on the chain inside of the housing. When the chain is locked to the pulleys 25, 25 in this manner the length of chain outside of the housing will become free without any tension being exerted thereon by the weight and therefore one hand only of the user of the writing implement will be necessary, the other hand being free instead of being used for holding the chain against the pull of the weight. When it is desired to release the chain it is only necessary to exert a slight outward pull thereon manually so as to center it with respect to the pulleys 25, 25 whereupon it will be free so that the retrieving mechanism may automatically draw the writing implement up toward the housing as permitted by the hand holding the writing implement.

25 It will be apparent that a fountain pen 30 may be attached to the chain 26 instead of the pencil 28 when desired. When a fountain pen is attached, it is preferable to have a cap arranged to prevent the ink from drying on the nib or feed tube of the pen and in order to

have this cap always in proper position I have indicated a bracket 31 in Fig. 2 attached to the upper part of tube 9 and provided with points 32 extending toward each other and engaging suitable recesses in a cap 33. This provides a connection between the cap 33 and the tube 9 permitting such cap to swing out away from tube 9 and back to the position indicated so as to easily engage the pen 30 with said cap. The clip 29 may be formed larger when a pen is used than when a pencil is used.

It should be noted that the automatic retrieving mechanism for the flexible connection between the interior of the housing and the fountain pen is so guided by the guide 42 shown in Fig. 5 that the pen proper of the fountain pen 30 will be pulled into the cap 33 by the chain 26 and the pen proper will be held in such cap independently of the clip 29. This is also true with respect to the form shown in Fig. 2 where the pulley guides 25, 25 are so located that the fountain pen will be pulled toward the housing and also upwardly to direct the pen proper into the cap 33 and hold it there. However, after the pen proper has been directed into the cap and moved to its vertical position the clip 29 acts as additional holding means to retain the fountain pen in its desired position with respect to the cap so that the pen point will, when not in use, remain in an enclosed air space so as to keep moist the ink on the pen point in readiness for writing at any time.

In the form shown in Figs. 4, 5 and 6 the tube 9, cap 10 and base 8 are given the same general form as indicated in Figs. 1 to 4, inclusive, and it will be understood that the shapes of these parts may be changed to suit different requirements. The base 8 may be provided with an angular member 35 so that the device may be permanently attached to the side of a table or desk or other device when desired. The arrangement of the securing means and the means for securing the different parts of the housing together may be varied as desired.

In the form shown in Figs. 4, 5 and 6 I have indicated a weight guide tube 36 of smaller cross-area than tube 9, but it will be understood that the size of this guide tube may be changed when desired. The guide tube 36 is relatively longer than the tube 9 and may be extended to any convenient length. Within the guide tube 36 is a weight 37 which may be provided with a felt covering to prevent its rattling when so desired and is preferably arranged to fit fairly snug in the tube 36, yet freely movable therein. At the top of tube 36 is a block 38 having a pulley 39 mounted thereon and over which chain 26 travels. The chain after passing over pulley 39 passes down and around a pulley 40 mounted on weight 37. The end of said chain is attached as at 41 to the block 38 or it may be attached to

any suitable point within the housing. The other end of the chain passes out through a guide 42 which preferably passes through block 38, tube 36, and tube 9. The outer end of the chain 26 may be attached as at 43 to a fountain pen 30. The guide 42 may be of any suitable material and provided with an opening large enough to permit the chain 26 to pass freely therethrough. The point 43 at which the chain 26 is secured to the pen body is preferably low enough on the pen 30 to insure drawing the latter up into cap 33. The cap 33 is mounted in a yoke 31, as shown in Fig. 2. The tube 9 is also provided with a clip 29 for facilitating the holding of the pen in position on the housing.

With this form of the device the pen may be withdrawn and brought to writing position by simply pulling the pen away from the clip 29 and cap 33. This movement draws the chain 26 out through guide 42 and raises the weight 37 until the desired amount of chain has been drawn out of the casing. When it is desired to return the pen the latter is inserted in the cap 33 and the weight automatically brings the pen to its position indicated in Fig. 6, the weight, of course, passing down in the tube as the chain is withdrawn again into the housing. It will be apparent that a pencil may be attached to the chain 26 in the form of the device shown in Fig. 6, as well as in the form shown in Fig. 2. The member 26 has been designated a chain, but it will be understood that the term "chain" will include a chain, cable, cord, or any other flexible member it is desired to use.

It should also be noted that the cap 33 is free to swing on its pivot away from the mount in which inclined position the pen may more easily be inserted therein. Then while the friction of the cap on the fountain pen holds the latter from falling the pen may be let go and it will be swung by the weighted chain into engagement with the clip. The weight and chain therefore also assist in holding the pen in the clip in the position either in Fig. 2 or Fig. 5.

I claim:—

1. A writing implement mount comprising a housing having a chain guide and an opening in one side wall thereof, a chain in the housing and extending out through the chain guide, a clip on the outside of said housing, for attaching a writing implement to the end of the chain extending out through said chain guide, a weight associated with said chain to act thereon to pull the said writing implement toward said housing and coacting with said clip to hold the writing implement in a predetermined position relative to said housing, and a weight guide within said housing.

2. A writing implement mount comprising a housing having an opening in its side, a weight guide within said housing, a weight in said weight guide substantially fitting the lat-

ter and slidably mounted therein, and a chain attached to said weight and extending out through said opening with its free end adapted to be connected to a writing implement.

3. A mount comprising a housing having a weight guide therein, a weight in and slidably fitting the weight guide, a pulley on said weight, a pulley at the top of the weight guide, and a chain having its free end adapted to be secured to a writing device and its inner end to the housing with intermediate portions passing over said pulleys, the weight being supported by said chain.

4. A writing implement mount comprising a housing, a pulley mounted in the upper part of said housing, a weight in the lower part of the housing, a pulley on said weight, a chain passing over said pulleys, and means adjacent said pulleys for holding said chain on said pulleys.

5. A writing implement mount comprising a housing, a bearing block in said housing having a groove therein, a grooved pulley mounted in said bearing block with the groove of said pulley adjacent the groove in said bearing block, a weight in said housing having a groove in its top side, a grooved pulley mounted on said weight with the groove in said pulley adjacent the groove in the weight, and a chain passing over said pulleys with said grooves cooperating to form chain passages and hold said chain on said pulleys in use.

6. A writing implement mount comprising a housing, a bearing block in the upper portion of said housing and having a plurality of parallel grooves in its under side, a plurality of grooved pulleys mounted in said bearing block with the grooves of said pulleys adjacent the grooves in said bearing block, a weight movably mounted in said housing and having a plurality of parallel grooves in its top side, a plurality of grooved pulleys mounted on said weight with the grooves of said pulleys adjacent the grooves in said weight, a chain having one end adapted to be attached to a writing device and passing progressively over said pulleys and through said grooves with the other end of said chain attached to a fixed point within said housing, and a pair of grooved pulleys in the side of said housing adjacent said writing device and forming a chain guide.

7. A writing implement mount comprising a housing, automatic retrieving mechanism therein comprising a flexible device adapted to have its free end connected to a writing implement outside of the housing, and a pair of grooved pulleys at an opening in the housing where said flexible device emerges therefrom, said pulleys having their end portions closely adjacent to act automatically to hold such flexible device against retraction after the free end of said flexible device has been

withdrawn sufficiently to permit free use of the writing implement connected thereto.

8. A mount of the class described comprising a housing having a weight guide disposed vertically therein and a chain opening in one lateral wall, a chain guide in said opening, a chain pulley at the top of the chain guide, a chain extending through said chain guide and passing over said pulley for attachment to a writing device, and a weight attached to the chain and adapted to normally hold said writing device close to said chain guide.

9. A mount of the class described comprising a housing having a weight guide disposed vertically therein, a weight in and slidably fitting said weight guide, a pulley at the top of said weight guide, a chain extending over the pulley and secured to said weight and adapted to have a writing device attached to the end thereof, said weight normally holding said writing device close to said housing.

10. A mount of the class described comprising a housing having a weight guide therein, a weight in and slidably fitting said weight guide, a pulley at the top of said weight guide, a pulley on said weight, a chain passing over said pulley with one end adapted to be attached to a writing device, said weight adapted to impart a pull on said chain for holding the writing device close to said housing.

11. A mount of the class described comprising a housing having its bore providing a weight guide, a plurality of pulleys mounted at the top of said weight guide, a weight slidably mounted in the weight guide, a plurality of pulleys mounted in the weight, a chain having one end attached within the housing with its opposite end adapted to be attached to a writing device, said chain passing progressively over said pulleys with said weight imparting a pull thereto substantially as and for the purpose described.

12. A mount of the class described comprising a housing, a plurality of pulleys mounted in the upper portion of said housing, a weight in said housing, a plurality of pulleys on said weight, a plurality of pulleys in a wall of said housing, a chain passing progressively over said pulleys with one end attached to a point in said housing and with its opposite end adapted to be attached to a writing device.

13. A mount of the class described comprising a housing, a plurality of pulleys mounted in the upper portion of said housing, a weight in said housing, a plurality of pulleys on said weight, a plurality of pulleys in the wall of said housing, a chain passing progressively over said pulleys with one end attached to a point within said housing, the opposite end of said chain adapted to be attached to a writing device, and a clip on the housing for engaging said writing device.

14. A mount of the class described com-

prising a housing, a bearing block in the upper portion of said housing and having a plurality of parallel grooves in its under side, a plurality of grooved pulleys mounted in said bearing block with the grooves of said pulleys adjacent the grooves in said bearing block, a weight movably mounted in said housing and having a plurality of parallel grooves in its top side, a plurality of grooved pulleys mounted on said weight with the grooves of said pulleys adjacent the grooves in said weight, a chain passing progressively over said pulleys and through said grooves with one end thereof attached to a fixed point within said housing and with its opposite end adapted to be attached to a writing device.

15. A pen mount comprising a housing, a pen cap mounted on said housing for the reception of the writing end of a pen, a weight guide in said housing, a weight in said weight guide, and a chain having one end attached to said pen and another portion engaging said weight, the latter normally holding the pen in said pen cap.

16. A pen mount comprising a housing, a pen cap pivotally mounted on said housing for the reception of the writing end of a pen, a clip on said housing for engagement with said pen, a weight guide in said housing, a weight in said weight guide, and a chain adapted to be attached to the pen and weight so that the pull on the chain exerted by said weight automatically holds the pen in said pen cap.

17. A fountain pen mount comprising a housing having a weight guide therein, a pen cap mounted on the housing for the reception of the writing end of a pen, a pulley mounted in the upper portion of said housing, a weight in said weight guide, a pulley on said weight, and a chain with one end adapted to be attached to said pen after passing over said pulleys and having its other end attached to a fixed point within said housing.

18. A pen mount comprising a housing, a pen cap mounted on said housing for the reception of the writing end of a pen, automatic retrieving mechanism within said housing, a flexible connection for connecting said retrieving mechanism with said pen, and means to guide said flexible connection into said housing in position to cause said retrieving mechanism to act through said flexible connection to normally pull said pen into said cap and hold the same therein.

19. A pen mount comprising a housing, a pen cap pivotally mounted on said housing for the reception of the writing end of a pen and affording an enclosed air space for the pen point, and automatic retrieving mechanism flexibly connected to said pen to move the same toward the housing and hold the said pen point in said enclosed air space.

20. A fountain pen mount comprising a housing, a fountain pen cap pivoted at its

upper end portion to said housing for the reception of the writing end of a fountain pen and affording an enclosed air space for the pen point, and automatic retrieving mechanism within said housing adapted to be
5 flexibly connected to a fountain pen to pull the same toward said housing and hold it in upright position with the pen point in said enclosed air space.

10 In testimony whereof I have signed my name to this specification on this 15th day of June, A. D. 1923.

EDWARD E. JOHNSON.

15

20

25

30

35

40

45

50

55

60

65