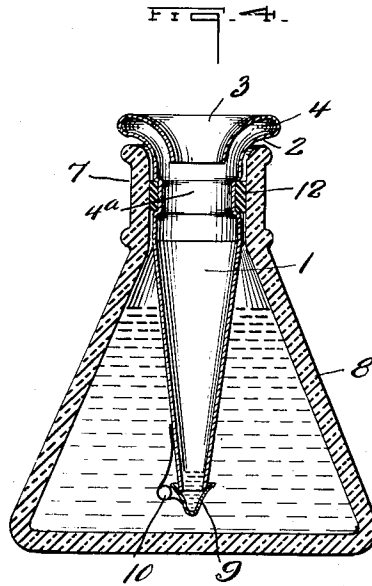
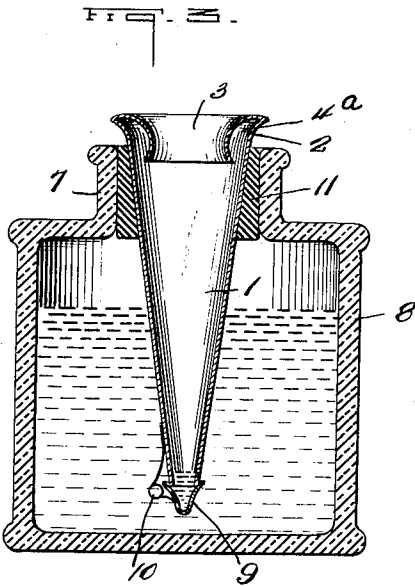
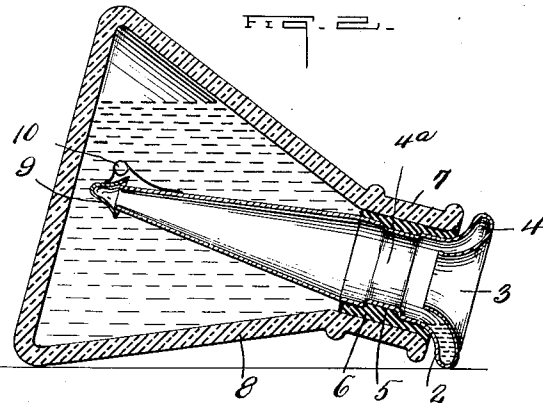
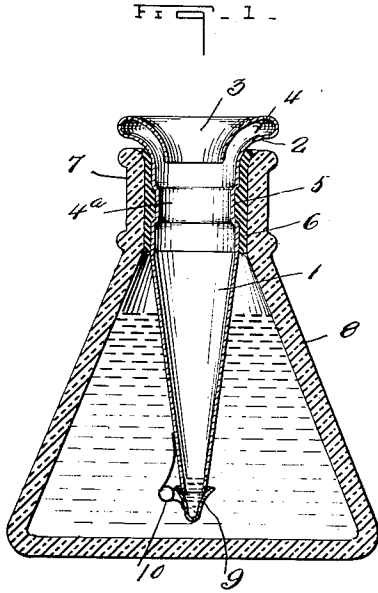


No. 880,973.

PATENTED MAR. 3, 1908.

W. L. CLARKE.
ATTACHMENT FOR INK BOTTLES AND INK WELLS.
APPLICATION FILED MAY 6, 1907.



WITNESSES:

J. P. Gleason,
H. H. Butler.

INVENTOR

W. L. Clarke

By *H. C. Everett & Co.*

Attorneys

UNITED STATES PATENT OFFICE.

WILLIAM L. CLARKE, OF WAYNESBURG, PENNSYLVANIA.

ATTACHMENT FOR INK-BOTTLES AND INK-WELLS.

No. 880,973.

Specification of Letters Patent.

Patented March 3, 1908.

Application filed May 6, 1907. Serial No. 371,993.

To all whom it may concern:

Be it known that I, WILLIAM L. CLARKE, a citizen of the United States of America, residing a Waynesburg, in the county of Green and State of Pennsylvania, have invented certain new and useful Improvements in Attachments for Ink-Bottles and Ink-Wells, of which the following is a specification, reference being had therein to the accompanying drawing.

This invention relates to attachments for ink bottles and ink wells, and the invention has for its object to provide a novel attachment for preventing writing fluid or ink from being spilled from a bottle or well, when accidentally tilted or upset.

My attachment is applicable to various types of ink bottles and wells having contracted neck portions in which the attachment can be mounted.

The attachment comprises a funnel having a valve at its lower end adapted to admit a certain quantity of writing fluid to the funnel, said funnel having an auxiliary entrance funnel providing a receptacle for the ink within the funnel, should the attachment be tilted or inverted. The valve at the lower end of the funnel prevents evaporation of the writing fluid, when not being used, and only permits a certain quantity of fluid being removed by a pen point.

The attachment is constructed of light and durable non-corrosive metal, and novel means is employed for holding the attachment in an ink bottle or well.

The invention in detail will be hereinafter more fully described and then specifically pointed out in the appended claims.

Referring to the drawing forming part of this specification, like numerals of reference designate corresponding parts throughout the several views, in which:

Figure 1 is a vertical sectional view of an ink bottle equipped with the attachment, the bottle being illustrated in an upright position, Fig. 2 is a similar view illustrating a bottle tilted, Fig. 3 is a vertical sectional view of a bottle equipped with a modified form of my invention, Fig. 4 is a vertical sectional view of my attachment illustrating a modified form of means for retaining the same in a bottle or well.

My attachment comprises a funnel 1 having a flared upper end 2 terminating in an auxiliary funnel 3, providing an annular receptacle 4 adapted to hold the contents of

the funnel 1 when the attachment is tilted, as illustrated in Fig. 2 of the drawing. The funnel 1 adjacent to its flared end is contracted, as at 4^a, to receive the collar 5 of a resilient sleeve 6 employed for retaining the funnel in the neck portion 7 of a bottle or well 8. In this instance, the sleeve 6 is of a depth corresponding to the neck portion 7 of the bottle and is adapted to detachably hold the funnel within the bottle.

The lower end of the funnel 1 extends into close proximity to the bottom of the bottle and is provided with a valve or cap 9, normally held in engagement with the funnel by a spring 10. The valve or cap 9 is adapted to hold a certain quantity of writing fluid, and is lowered by a pen placed in the funnel 1, the valve receding sufficiently to allow a certain quantity of writing fluid to enter the funnel, while the writing fluid is being gathered upon a pen point.

In Fig. 3 of the drawing, I have illustrated a slight modification of my invention wherein the contracted portion 4^a of the funnel is dispensed with, and a resilient sleeve 11 employed for firmly holding the funnel within the bottle or well 8.

Another modification of my invention is illustrated in Fig. 4 of the drawing, wherein the resilient band 12 is employed for engaging the contracted portion 4^a of the funnel 1, thus saving considerable material with respect to the sleeve 6. The resilient band 12 and the sleeves 6 and 11 are preferably constructed of rubber, while the remainder of the attachment is made from metal, porcelain or similar durable material.

As shown in each of the figures of the drawings, the lower end of the funnel 1 is formed with a permanent passageway of a size sufficient to permit of the passage therethrough of that portion of the pen point which is intended to be inked, while the valve or cap 9 has its upper end of a size sufficient to pass over the outer periphery of the lower end of the funnel. By this construction the lower end of the funnel is kept normally closed with but a slight surface of ink remaining in the cap or possibly in the funnel itself, while the insertion of the pen to and from its ink-receiving position is free from liability of contact with a surface which would tend to remove or wipe off the ink which is received on the pen point. Furthermore, the construction is such that the bottom of the ink receptacle need have no special form, and a

removal of the funnel from the ink receptacle will carry with it the valve or cap 9.

I do not care to confine myself to the manner of holding the valve or cap 9 in engagement with the lower end of a funnel, as various types of springs or resilient means can be employed for holding the valve or cap in engagement with the funnel.

What I claim and desire to secure by Letters Patent, is:—

1. An attachment for ink wells and bottles comprising a funnel having an integral flared end terminating in an auxiliary funnel, the lower end of said funnel having a permanent passageway of a size sufficient to permit of the free passage therethrough of that portion of the pen point to be inked, a resilient sleeve for holding said funnel in a bottle or well, and a spring held valve-forming cap carried by and covering the lower end of said funnel.

2. The combination with an ink well or bottle, of a funnel detachably mounted therein and having an integral flared end terminating in an auxiliary funnel, the lower end of said funnel having a permanent pas-

sageway of a size sufficient to permit of the free passage therethrough of that portion of the pen point to be inked, a valve-forming cap for inclosing the lower end of said funnel and resilient means carried by said funnel and connecting with said valve or cap for holding said valve or cap in engagement with said funnel.

3. The combination with an ink well or bottle, a pen-inserting funnel therefor, and carrying a resiliently-supported inclosure for its lower end, said funnel having an annular depressed portion, of resilient means interposed between the neck of the bottle and said funnel and extending into said depressed portion for positioning the funnel within the bottle, said funnel being substantially free from contact with the neck of the bottle throughout its length.

In testimony whereof I affix my signature in the presence of two witnesses.

WILLIAM L. CLARKE.

Witnesses:

J. T. HAYS,
L. E. SHULL.