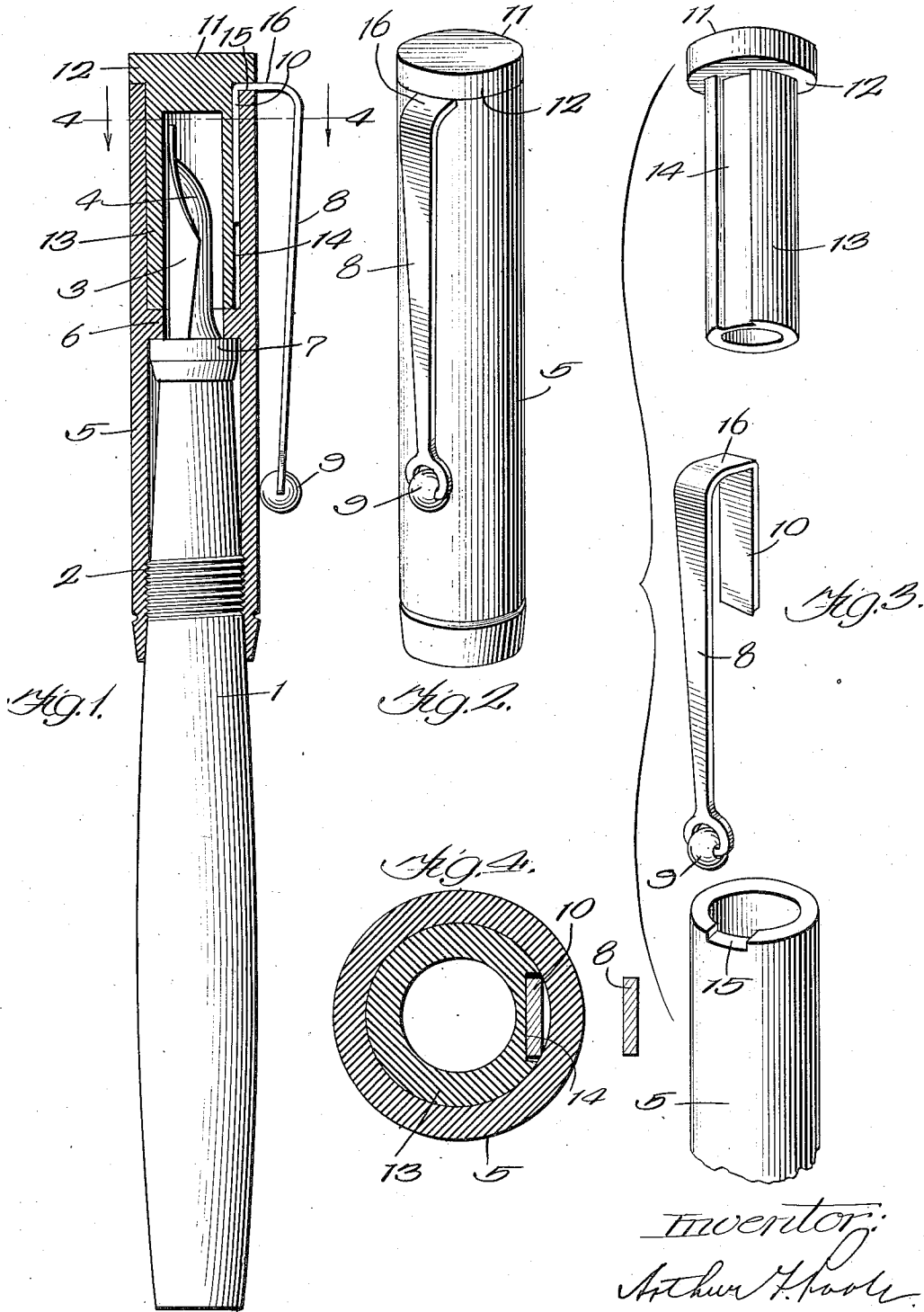


April 15, 1924.

1,490,231

A. F. POOLE
FOUNTAIN PEN CLIP

Filed June 11, 1920



UNITED STATES PATENT OFFICE.

ARTHUR F. POOLE, OF KENILWORTH, ILLINOIS, ASSIGNOR TO THE WAHL COMPANY,
OF WILMINGTON, DELAWARE, A CORPORATION OF DELAWARE.

FOUNTAIN-PEN CLIP.

Application filed June 11, 1920. Serial No. 388,138.

To all whom it may concern:

Be it known that I, ARTHUR F. POOLE, a citizen of the United States, residing at Kenilworth, in the county of Cook and State of Illinois, have invented certain new and useful Improvements in Fountain-Pen Clips, of which the following is a specification.

My invention is an improved fountain pen clip and has for its object the provision of a clip which will permit the use of rubber tubing for the making of fountain pen caps, instead of the moulded pieces of rubber heretofore employed.

My invention may be best understood by reference to the accompanying drawings, of which—

Fig. 1 is a view of a pen embodying my invention and having the cap shown in section;

Fig. 2 is a perspective view of the fountain pen cap;

Fig. 3 is a view of the clip disassembled from the cap, and

Fig. 4 is a section through the line 4—4 of Fig. 1.

Referring now to the drawings, I have provided a fountain pen consisting of the usual barrel 1, provided with a screwthread 2, and having mounted therein a pen nib 3 and feed bar 4. These parts may be of any desired construction and form no part of my herein described invention.

The screwthread 2 serves as an attachment for the cap 5, which is made of hard rubber tubing and is provided with an annular shoulder 6, which serves as a seal for the end 7 of the barrel 1.

Attached to the cap 5 is the clip 8, which consists of a piece of flat spring metal, bent approximately as shown. The clip 8 has mounted on it a roller 9, and, at its upper end, is provided with a bent portion 10, which is adapted to extend downwardly in the inside of the cap 5. A plug 11 is provided for the purpose of holding the clip 8 into the cap 5, said plug consisting of a head 12 and a smaller portion 13, provided with a slot 14, into which the bent portion 10 is secured. The portion 13 is made a drive fit in the cap 5, and is held in its position by friction, thereby holding the clip 8 securely in the cap. The upper portion of the cap 5 is provided with a small slot 15, which fits on the bent portion 16 of the clip 8. This is for the purpose of making a neat joint at the place where the clip enters the cap 5.

Many variations may be made from the precise structure herein shown without departing from the spirit of my invention, since I claim—

In a fountain pen, in combination, a barrel, a nib mounted on the open end of said barrel, a hollow cap open at both ends adapted to cover said nib, a niche cut in the upper edge of said cap, a plug having its wall grooved to form a seat for a clip having a member which is adapted to engage in the heretofore mentioned niche and the said groove to hold it firmly in position upon the pen cap when the plug is forced into the top end of the cap.

In witness whereof I have hereunto subscribed my name.

ARTHUR F. POOLE.