

July 11, 1933.

A. BIENENSTEIN

1,917,423

FOUNTAIN PEN DESK SET

Filed Jan. 20, 1930

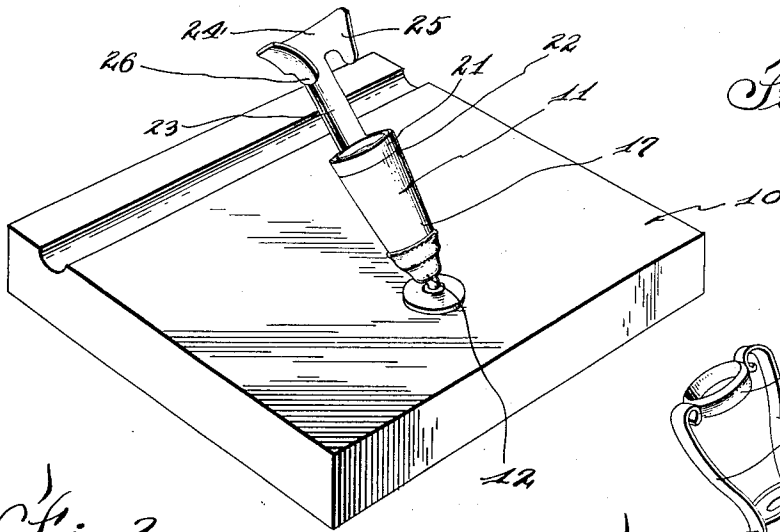


Fig. 1.

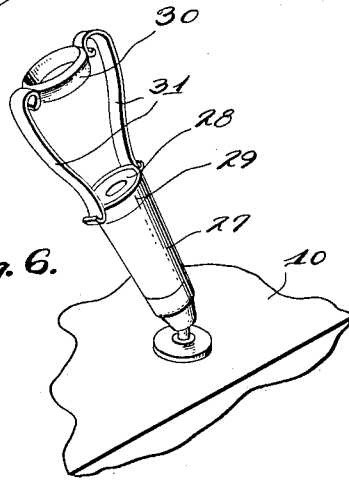


Fig. 6.

Fig. 2.

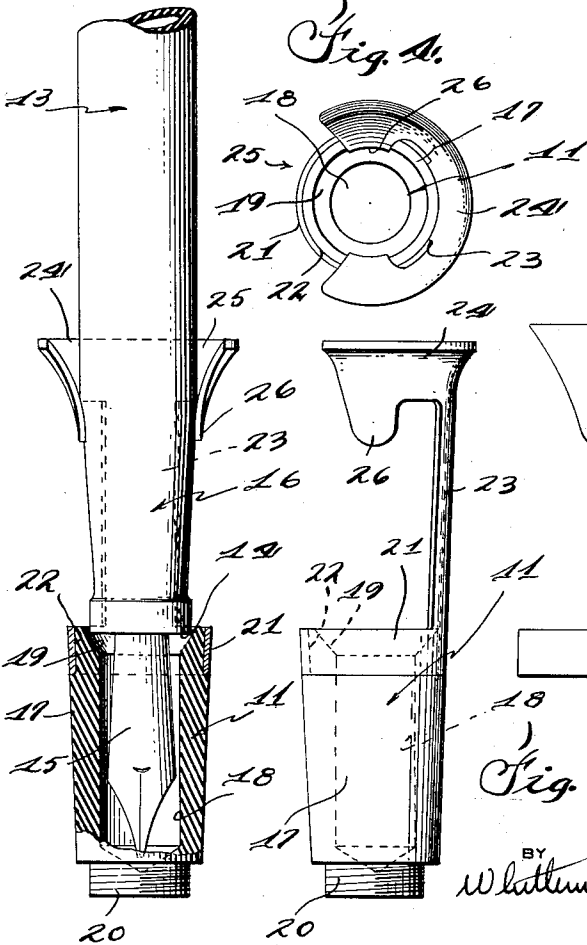


Fig. 3.

Fig. 4.

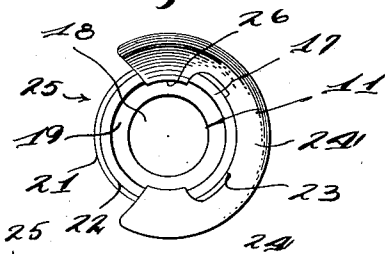
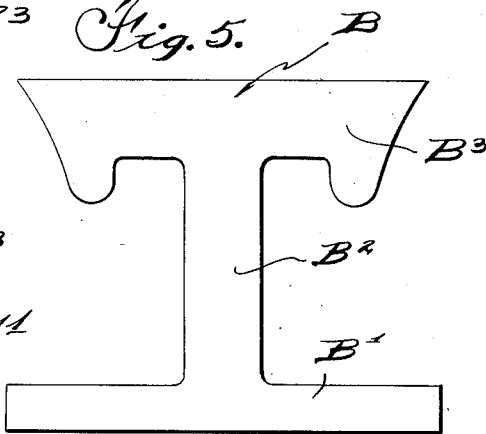


Fig. 5.



INVENTOR
Andreas Bienenstein

BY
Whittemore Hulbert Whittemore Hulbert

ATTORNEYS

UNITED STATES PATENT OFFICE

ANDREAS BIENENSTEIN, OF TOLEDO, OHIO, ASSIGNOR TO CONKLIN PEN COMPANY, OF TOLEDO, OHIO, A CORPORATION OF OHIO

FOUNTAIN PEN DESK SET

Application filed January 20, 1930. Serial No. 422,129.

This invention relates to what is known in the art as fountain pen desk sets and more particularly to an improved construction of pen supporting or pen receiving receptacle therefor.

In fountain pen desk sets as heretofore commercially produced, it has been quite generally the custom to form the pen supporting receptacle of a substantially tubular member adapted to receive and enclose not only the pen writing point but also that portion of the pen barrel adjacent the writing point which is gripped by the hand of the person using the pen. Inasmuch as the pen is normally supported in a position in which the ink flows downwardly toward the writing point and inasmuch as the pen is frequently carelessly inserted into the supporting receptacle, it frequently occurs that ink is transferred to that portion of the receptacle which encloses the grip area of the pen with the result that the ink is frequently transferred to the grip area and subsequently to the hand of the user. Repeated efforts have been made to design a structure which will eliminate this objection but these efforts have not been entirely successful, have frequently involved more expensive constructions, and have been otherwise objectionable.

It is one of the primary objects of this invention to provide an improved construction of pen supporting receptacle wherein all liability of ink being transferred to the grip area of the pen barrel is eliminated.

Another object of this invention is to provide such an improved construction of pen supporting receptacle wherein all of the known and accepted advantageous features of the present-day constructions are retained.

Another object of this invention is to provide a pen supporting receptacle of such a construction as to permit the insertion and withdrawal of the pen without liability of injury to the writing point thereof.

The invention also has as its objects to simplify, render more efficient and improve generally structures of this nature and to this end consists of the novel combination, construction and arrangements of parts, all of which will be made more apparent as the fol-

lowing description proceeds, especially when considered in connection with the accompanying drawing, wherein

Figure 1 is a perspective view of a fountain pen desk set constructed in accordance with this invention;

Figure 2 is an enlarged fragmentary view of the pen supporting receptacle;

Figure 3 is a side elevation of the structure shown in Figure 2;

Figure 4 is a top plan view of the structure shown in Figure 2;

Figure 5 is a plan view of the blank from which a portion of a pen supporting receptacle is formed, and

Figure 6 is a perspective view of a modified form of pen supporting receptacle.

Referring now more particularly to the drawing and especially to Figures 1 to 5 inclusive, it will be noted that there is illustrated the base 10 of a fountain pen desk set, provided with a receptacle indicated generally by the reference character 11 secured to the base by a connection 12. The receptacle 11 may either be rigidly secured to the base, or secured thereto in such a manner as to permit either swinging or rotary movement, or both.

The pen supporting receptacle is adapted to receive the customary fountain pen 13 provided with a barrel end 14 adjacent the writing point 15. A portion 16 of the barrel adjacent the writing point 15 constitutes the grip area of the pen which is engaged by the hand of the writer when using the pen.

My improved pen supporting receptacle consists of a tubular member 17 providing a chamber 18, the tubular member being formed with a shoulder 19 adjacent one end thereof. The end of the tubular member opposite to the shoulder 19, is herein shown as threaded as at 20 for engagement with the joint or connection 12 carried by the base 10.

The end 14 of the barrel of the fountain pen is adapted to rest upon the shoulder 19 while the chamber 18 is adapted to receive and enclose the writing point 15. Engagement of the barrel end 14 with the shoulder 19 seals the chamber 18 from the atmosphere so that the ink which flows to the writing

point will not readily evaporate, thus maintaining the point in a moistened condition ready for instant use.

Instead of extending the receptacle to provide support for the barrel of the pen at a point spaced from the writing point thereof, as is customary with heretofore known devices, I provide a skeleton-like structure which supports the barrel of the pen but substantially completely exposes that portion of the barrel herein indicated by the reference character 16 and constituting the grip area of the pen.

This skeleton-like structure is preferably, although not necessarily, developed from a single sheet of material from which a blank B, such as shown in Figure 5 is cut. This blank is provided with a portion B¹ which is bent to form a ring 21 adapted to encircle the upper end of the tubular member 17. To provide a smooth exterior surface the upper edge of the tubular member is preferably rabbeted as at 22 to a depth equal to the thickness of the encircling portion 21. The blank is further provided with a portion B² which constitutes an arm 23 which carries a pen barrel supporting member 24. This is developed from the portion B³ of the blank. This pen barrel supporting portion 24 is substantially semi-circular in horizontal cross section to thus provide a lateral opening 25. This semi-circular portion is provided with downwardly extending inwardly inclined ears 26 adapted to resiliently frictionally engage the barrel of the fountain pen. The upper edge of the semi-circular portion 24 is flared outwardly as clearly illustrated in the drawing. The whole blank is formed preferably of resilient metal so that the ears 26 will resiliently engage the pen barrel.

The opening 25 is preferably arranged toward the back of the desk set so that when inserting the fountain pen into the supporting receptacle the writing point end may be brought downwardly through the opening 25 and finally inserted or located into the chamber 18 of the tubular member, whereupon the barrel portion of the pen may be engaged by a slight lateral movement into a position where it is embraced and gripped by the semi-circular portion 24. This eliminates the necessity of carefully inserting the point end of the pen into a barrel-like member as has heretofore been necessary.

It will be noted that the grip area 16 of the fountain pen is substantially completely exposed. The pen is fully and adequately supported by reason of the engagement of the barrel end 14 with the shoulder 19 and further by reason of the embracing engagement of the supporting member 24. In this position of the parts the writing point 15 is completely enclosed in the sealed chamber 18 but the grip area 16 is substantially com-

pletely exposed to the atmosphere. Inasmuch as the grip area 16 does not at any time come into contact with the portion of the receptacle in which ink may be deposited, liability of ink being transferred therefrom to the hand of the user is practically completely eliminated.

In Figure 6 a slightly modified form of construction is illustrated. In this form of construction a tubular member 27 is provided substantially somewhat similar to the tubular member 17 of the previously described construction. This tubular member 27 is adapted to receive and enclose the writing point of the pen and the barrel end 14 of the pen is adapted to rest upon the shoulder 28 formed on the upper end of the tubular member.

In this construction the skeleton-like structure which supports the barrel portion of the pen consists of a pair of ring-like members 29 and 30 connected by one or more arms 31 which may be substantially straight or artistically curved as illustrated to enhance the decorative appearance of the device. The lower ring-like member 29 encircles and engages the tubular member 27 in the same manner as the ring-like member 21 of the previously described construction, whereas the ring 30 corresponds substantially to the semi-circular member 24, previously described, and provides support for the pen barrel. As in the previously described construction, the grip area of the pen is not enclosed, but is on the other hand substantially completely exposed so that all liability of the transference of ink from the receptacle to the grip area of the pen is eliminated.

Various modifications will suggest themselves to those skilled in this art and to this end reservation is made to make such changes as may come within the purview of the accompanying claims.

What I claim as my invention is:

1. In a desk set, a pen supporting receptacle for a fountain pen comprising means for receiving and supporting the pen writing end and means connected thereto but spaced therefrom for supporting the barrel of the pen, said latter means comprising an arcuate member resiliently embracing the major portion of the pen barrel circumferentially of the latter.
2. In a desk set, a base and a pen supporting receptacle connected thereto, said receptacle comprising a tubular portion having a shoulder at one end thereof, said tubular portion receiving the writing point of the pen and said shoulder being engaged by the end of the pen barrel, means embracing the major portion of the pen barrel circumferentially of the latter at a point spaced above the receptacle, and an arm connecting said means to said tubular portion.
3. In a desk set, a base and a pen supporting receptacle connected thereto, said recep-

tacle comprising a tubular portion having a shoulder at one end thereof, said tubular portion receiving the writing point of the pen and said shoulder being engaged by the end of the pen barrel, an arcuate member for yieldably gripping the major portion of the pen barrel circumferentially of the latter at a point spaced from the end thereof, and an arm connecting said member to said tubular portion.

4. In a desk set, a base and a pen supporting receptacle connected thereto, said pen supporting receptacle comprising a substantially tubular member for receiving and supporting the pen writing end, and an arcuate member spaced therefrom and connected thereto for supporting the pen barrel, said member resiliently embracing the pen barrel and permitting a disengagement thereof by a lateral movement of the pen.

5. In a fountain pen desk set, a base and a pen supporting receptacle connected thereto, said receptacle comprising a cylindrical chamber having an internal shoulder at the upper end thereof, said chamber receiving the writing point of the fountain pen, said shoulder being engaged by the adjacent end of the pen barrel for substantially sealing apart from the atmosphere the writing point of the fountain pen, and means carried by said chamber member and engaging the pen barrel above the grip portion throughout the major portion of the circumference of the grip portion, said grip portion being substantially exposed.

6. In a desk set, a pen supporting receptacle for a fountain pen comprising means for receiving and supporting the pen writing end, and means connected thereto but spaced therefrom for supporting the barrel of the pen, said last-mentioned means comprising an arcuate resilient member fashioned to yieldably grip the major portion of the pen barrel circumferentially of the latter and to permit engagement and disengagement thereof by a lateral movement of the pen.

7. In a desk set, a base, a pen supporting receptacle connected thereto and comprising a tubular portion fashioned to receive the writing point of the pen, and means connected to the tubular portion and spaced therefrom for engaging the barrel of the pen to support the latter relative to the re-

ceptacle independent of engagement of the pen point with the receptacle and fashioned to provide engagement and disengagement of the pen by a lateral movement thereof.

8. In a desk set, a pen supporting receptacle for a fountain pen comprising means for receiving the pen writing end, and means connected to the receptacle but spaced therefrom for supporting the barrel of the pen independent of engagement of the writing end thereof with the receptacle, said latter means comprising a resilient member fashioned to yieldably grip the barrel portion of the pen and to permit engagement and disengagement thereof by a lateral motion of the pen.

9. In a desk set, a base, a pen supporting receptacle connected thereto and comprising a tubular portion fashioned to receive the writing point of the pen, a one-piece stamping having a portion fixed to the receptacle and having an arcuate portion spaced above the receptacle and yieldably gripping the pen barrel throughout the major portion of the circumference of the latter for supporting the same in operative relation to the receptacle.

10. In a desk set, a base, a pen supporting receptacle connected thereto and comprising a tubular portion having a shoulder at one end thereof, said tubular portion fashioned to receive the writing point of the pen and said shoulder adapted to be engaged by the end of the barrel, and means for yieldably gripping the pen barrel to support the pen with the end of the barrel in sealing engagement with the shoulder, said last-mentioned means permitting engagement and disengagement of the pen by a lateral movement thereof.

11. In a desk set, a pen supporting receptacle for a fountain pen comprising means for receiving and supporting the pen writing end, and means connected thereto but spaced therefrom for supporting the barrel of the pen, said latter means comprising an arcuate resilient member embracing the pen barrel throughout the major portion of the circumference of the latter and permitting engagement and disengagement of the barrel by a lateral movement of the pen.

In testimony whereof I affix my signature.

ANDREAS BIENENSTEIN.

55

120

60

125

65

130