

Dec. 25, 1928.

1,696,218

G. E. SWEETNAM ET AL

FOUNTAIN PEN DESK SET

Filed Feb. 15, 1926

Fig. 1

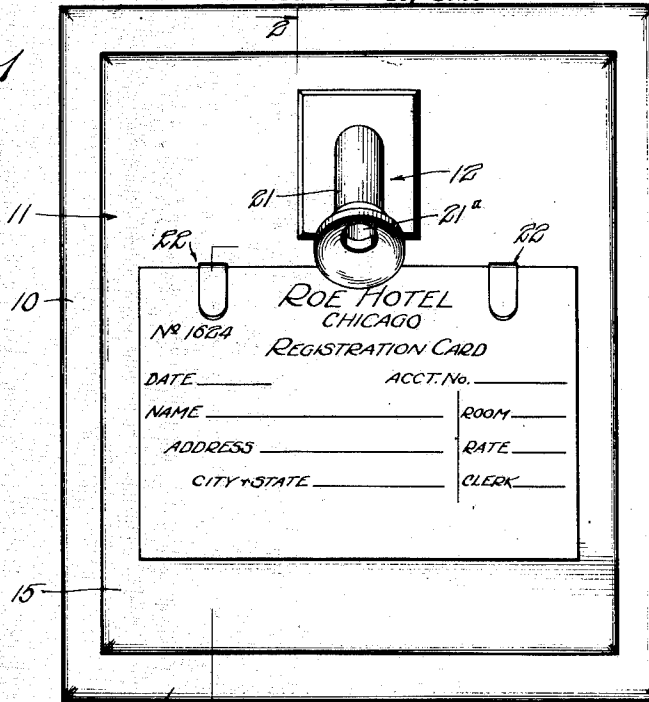


Fig. 3

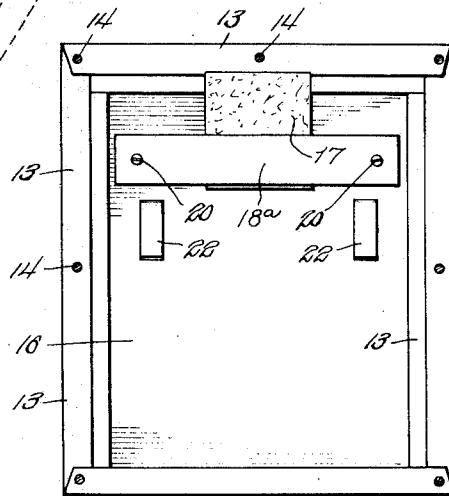
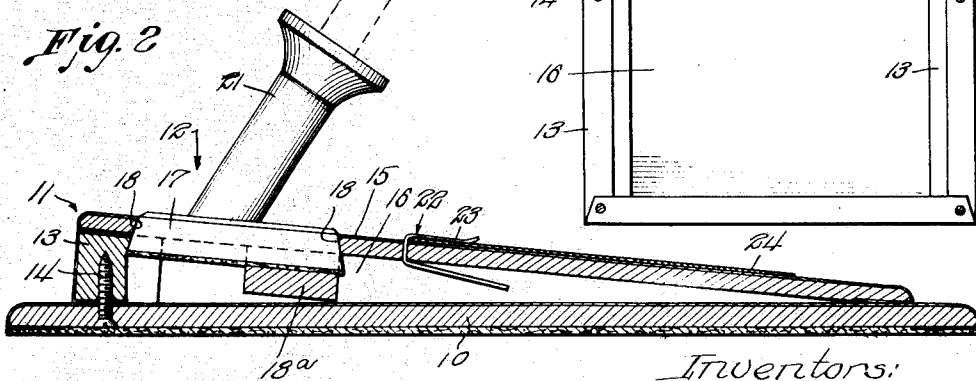


Fig. 2



Inventors:  
George E. Sweetnam  
James Creck  
By James, Addington, Ames and Seibold  
Attys.

# UNITED STATES PATENT OFFICE.

GEORGE E. SWEETNAM AND JAMES ORECK, OF CHICAGO, ILLINOIS, ASSIGNORS TO  
W. A. SHEAFFER PEN COMPANY, OF FORT MADISON, IOWA, A CORPORATION OF  
DELAWARE.

## FOUNTAIN-PEN DESK SET.

Application filed February 15, 1926. Serial No. 88,208.

This invention relates to fountain pen desk sets, and relates particularly to desk sets which comprise a base adapted to securely position a sheet of paper, or the like, and a receptacle-mounted therein to hold a fountain pen.

It has long been the custom of hotel managements to provide a register, usually a large cumbersome book, in which is entered a record of each guest. This method of registration is rapidly being replaced by an individual card system which is more efficient.

In order to materially increase the efficiency of the card system, this invention provides a support to which the card is temporarily secured and also provides a rest for the hand while writing, as well as a receptacle for holding a fountain pen so as to be readily accessible to the user.

The successful introduction of the card system and the conveniences which the present invention provide for such a system greatly determine the utility of the device. Some of the most important contributing factors determining its conveniences are the ready accessibility of the pen at all times when a registration card is to be filled out; the temporary securing of the card to the support in readiness for writing, since a guest upon arriving may carry his overcoat, brief case, or the like, in one arm and have but one free hand with which to enter the necessary data on the card; the ease with which the device may be moved, being of light construction and having all the associated elements move as a unit; and the readiness with which a card may be inserted and withdrawn.

Although the conveniences and advantages of this desk set have been described with reference to its adaptability for use in a hotel, it is apparent that it is equally as adaptable for use in an office or home where memoranda or data of any kind are kept.

For a better understanding of the nature, scope and characteristics of this invention, reference may be had to the accompanying drawings, in which:

Figure 1 is a top plan view of the desk set;

Fig. 2 is an enlarged sectional view on the line 2-2 of Fig. 1; and

Fig. 3 is a bottom plan view with the base portion removed.

Referring more particularly to the drawings, the desk set comprises a base 10 having

an inclined supporting portion 11 into which is disposed a receptacle 12. The base and supporting portions are preferably of wood having a covering of leather, although any substance such as metal or glass may be used advantageously. The supporting portion 11 comprises an inclined framework 13 secured by means of screws 14 to the base 10 and a cover 15 secured to the framework 13 to form a housing 16.

The tapered base 17 of the receptacle 12 is inserted into a tapered aperture 18, said base conforms to the shape and size of said aperture and is securely held in position by a block 18<sup>a</sup> fastened to the underneath side of the cover 15 within the housing 16 by means of screws 20. The receptacle 12 is provided with a barrel 21 secured to the base 16 and has a chamber 21<sup>a</sup>, formed by an opening in the barrel, for receiving a fountain pen. The barrel is preferably set at an angle to permit the pen to be readily accessible to the user.

A pair of spring clips 22 are inserted in the cover 15 and comprise a bent-over portion 23 pressing against the top surface of the cover while the front end is turned up to receive and securely position a card or pad of paper 24. This construction has been preferably shown because of the extremely low cost of production, although any type of spring clip may be used effectively.

When in use in a hotel, a registration card is inserted between the clips and the inclined surface of the supporting portion. Upon the arrival of a guest, the attendant may move with ease the device as a whole along the desk to the place at which the guest may stop. The pen is ready for use; the card is in place, and the entry is made. Heretofore, upon the arrival of a guest, a cumbersome book, or the like, has been turned toward the guest with apparent effort, the pen is generally not readily accessible and a state of disorder prevails. Although the card system of registration in itself eliminates to a great extent the disadvantages apparent with the use of a register, the need of the present invention to unify the elements necessary in the procedure is essential.

As a result of this invention, the entry of the guest at a hotel may be made without confusion. The unitary construction of the invention provides that the means for writing and the card for recording the entry are al-

ways together; that the device may be readily replenished with other cards; and that the tapered base portion, upon which the card is secured, forms a natural writing position  
 5 for the hand, and the inclined position of the receptacle is such that the hand may grasp the pen in a manner such as is ordinarily used in holding a pen for writing.

While it is preferable to embody this invention in the device herein shown and described, various other forms will be apparent to one skilled in the art, and consequently this invention is to be limited only by the scope of the appended claims and the prior art.

15 We claim:

1. A fountain pen desk set comprising a lower section, an upper section detachably secured to said lower section, a receptacle mounted in said upper section, and means  
 20 secured to said upper section for securing said receptacle therein.

2. A fountain pen desk set comprising a lower section, an upper section detachably secured to said lower section, a receptacle  
 25 mounted in said upper section, and means disposed between said upper and lower sections for securing said receptacle in said upper section.

3. A fountain pen desk set comprising  
 30 a supporting portion, said portion having an aperture therein and being elongated to

support a card or writing pad for entering a record, a receptacle for engaging said aperture, and means secured to said supporting portion for immovably securing said recep- 35 tacle thereto.

4. A fountain pen desk set comprising a supporting portion having a tapered aperture and being elongated to support a card or writing pad for entering a record, and a  
 40 receptacle engaging said tapered aperture to secure said receptacle relative to said supporting portion.

5. A fountain pen desk set comprising a base, an inclined supporting portion mounted on said base having a tapered aperture, a receptacle having a tapered base portion and a barrel portion, said tapered base portion adapted to snugly engage said tapered aperture, said barrel portion having an opening to receive a fountain pen, and means secured to said supporting portion for holding  
 50 said tapered base portion in snug relationship with said tapered aperture, said supporting portion being elongated to hold a card or writing pad in position for entering  
 55 a record.

In witness whereof, we have hereunto subscribed our names.

GEORGE E. SWEETNAM.  
 JAMES ORECK.