

Oct. 25, 1927.

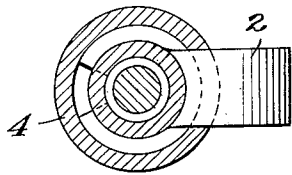
1,647,093

P. S. HAUTON

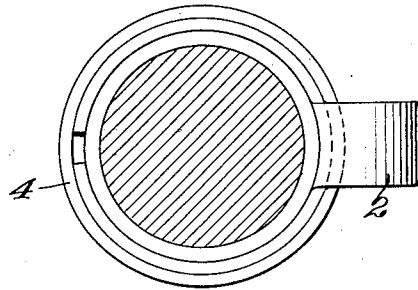
CLIP FOR PENS, PENCILS, AND THE LIKE

Original Filed Dec. 21, 1922 2 Sheets-Sheet 1

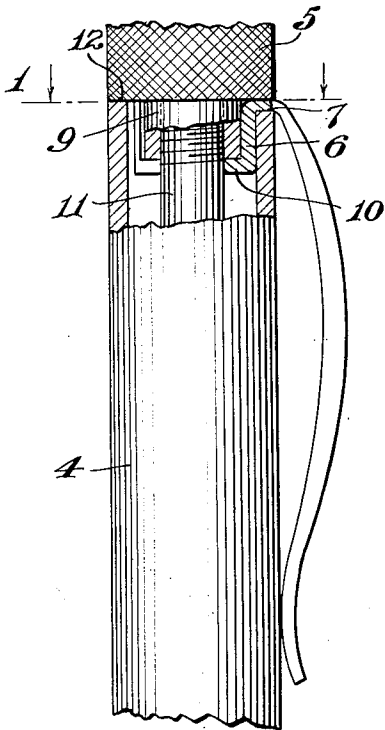
*Fig. 1.*



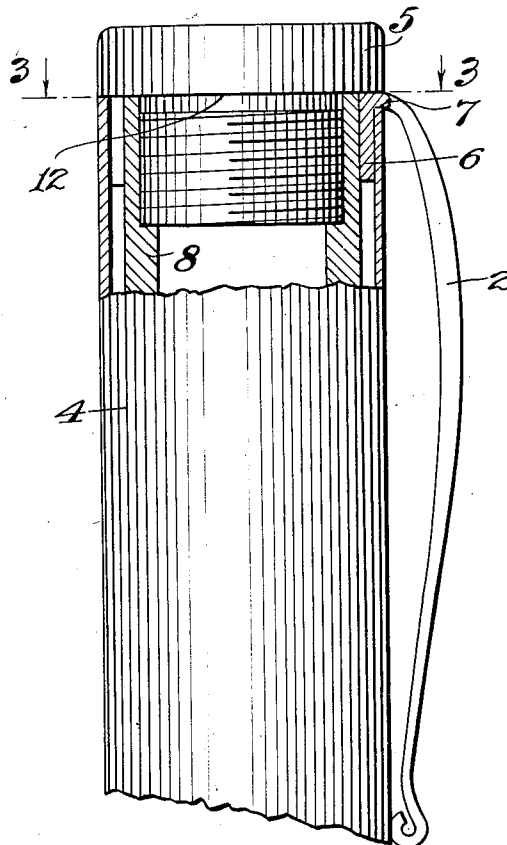
*Fig. 3.*



*Fig. 2.*



*Fig. 4.*



INVENTOR

*Paul S. Hauton*

BY

*James Barlow*

ATTORNEY

Oct. 25, 1927.

1,647,093

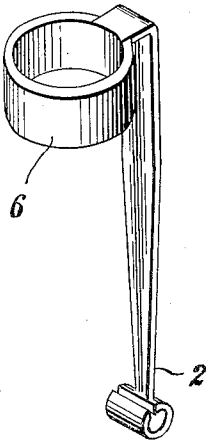
P. S. HAUTON

CLIP FOR PENS, PENCILS, AND THE LIKE

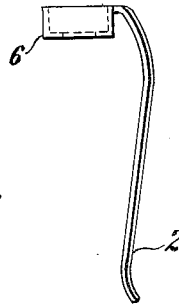
Original Filed Dec. 21, 1922

2 Sheets-Sheet 2

*Fig. 5.*



*Fig. 6.*



INVENTOR  
Paul S. Hauton  
BY  
James H. Barlow  
ATTORNEY

# UNITED STATES PATENT OFFICE.

PAUL S. HAUTON, OF ATLANTA, GEORGIA, ASSIGNOR TO THE PARKER PEN COMPANY,  
OF JANESVILLE, WISCONSIN.

## CLIP FOR PENS, PENCILS, AND THE LIKE.

Application filed December 21, 1922, Serial No. 608,149. Renewed March 23, 1927.

An object of my invention is to provide a clip with suitable attaching means therefor which may be readily attached to a pen, pencil or the like and maintained in fixed position with reference to the cap of the pen or barrel of the pencil so as to prevent circumferential shifting thereon, and which may be readily detached therefrom without injuring the pen or pencil.

Other objects of the invention will be apparent upon an examination of this specification taken in conjunction with the accompanying drawings in which,

Fig. 1 is a cross-section of an embodiment of my invention taken along the line 1—1 of Fig. 2 looking in the direction of the arrows;

Fig. 2 is a side elevation, partly in cross-section of a pencil embodying my improved clip;

Fig. 3 is a cross-section taken along the line 3—3 of Fig. 4;

Fig. 4 is an elevation partly in cross-section of my clip as applied to a fountain pen cap;

Fig. 5 is a perspective view of a modified form of my clip; and

Fig. 6 is a side view of another modified form of my clip.

Referring now in detail to the drawings 4 represents a cylindrical body which in Figs. 1 and 2 represents a pencil and in Figs. 3 and 4 represents the cap of a fountain pen. I provide a clip 2 having at its attaching end and made integral therewith, a ring 6 disposed at an angle from said clip and cylindrical in form. This cylindrical ring may be open as shown in the first four figures of the drawings to give it elastic properties where desirable, or may be closed as shown in Figs. 5 and 6.

In the cylinder 4, I have provided a notch 7 which is adapted to receive the top portion of the clip and thus prevent the circumferential shifting thereof on the cylinder, which is particularly desirable in calendar pens and pencils where the calendar is exhibited on or through the portion thereof in circumferential alignment with the clip.

In Fig. 4, 8 represents the calendar drum of a fountain pen between the outside wall of which and the inside wall of the cylinder 6 the cylindrical portion of the attaching member or ring 6 is positioned. In Fig. 2 the corresponding element to this calendar

drum for the purposes of holding the clip is a projection on the underside of the clamp 5. By reason of the difference of construction between a pen and pencil, in which a pencil usually contains a lead propulsion member 11, a flange 10 is preferably provided on the attaching ring 6, the effect of which flange is to give the attaching ring 6 additional rigidity when in position.

When the clip assembly has been placed in position, the clamp 5 is screwed or otherwise secured into position at the end of the cylinder 6. This clamp is provided with a shoulder 12 which comes into intimate contact with the end of said cylinder, and forces that portion of the clip lying in the rabbet 7 of the cylinder into snug relationship therewith.

I have described and illustrated what I believe to be the best embodiment of my invention. I do not wish to be confined in patent protection, however, to the embodiment disclosed but what I desire to cover by Letters Patent is set forth in the appended claims.

### Claims:

1. In combination with a scribing instrument provided with a notch at its clip end, a clip member, a cylinder integral therewith and adapted for interior attachment in said scribing instrument, said clip member being adapted to engage the said scribing instrument in said notch and to be held thereby against circumferential shifting and a clamp member adapted to hold said clip assembly in position in said scribing instrument.

2. In combination with a scribing instrument, a clip member, a cylinder integral therewith and adapted for interior attachment in said scribing instrument, and a clamp member adapted to hold said clip assembly in position in said scribing instrument.

3. In combination with a scribing instrument provided with a notch at its clip end, a clip member, a cylindrical open ring integral therewith and adapted for interior attachment in said scribing instrument, said clip member being adapted to engage the said scribing instrument in said notch and to be held thereby against circumferential shifting, and a clamp member adapted to hold said clip assembly in said scribing instrument.

PAUL S. HAUTON.